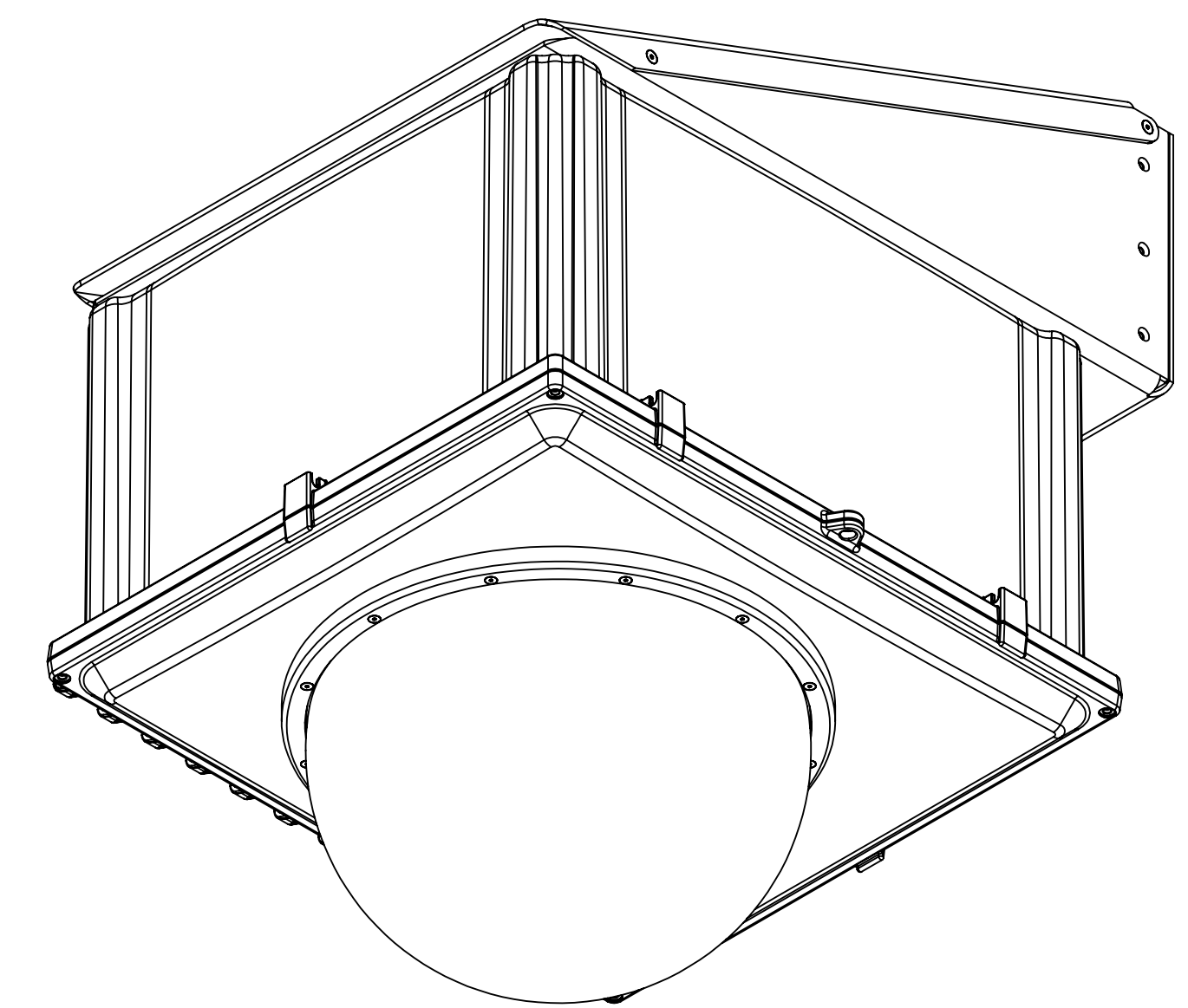
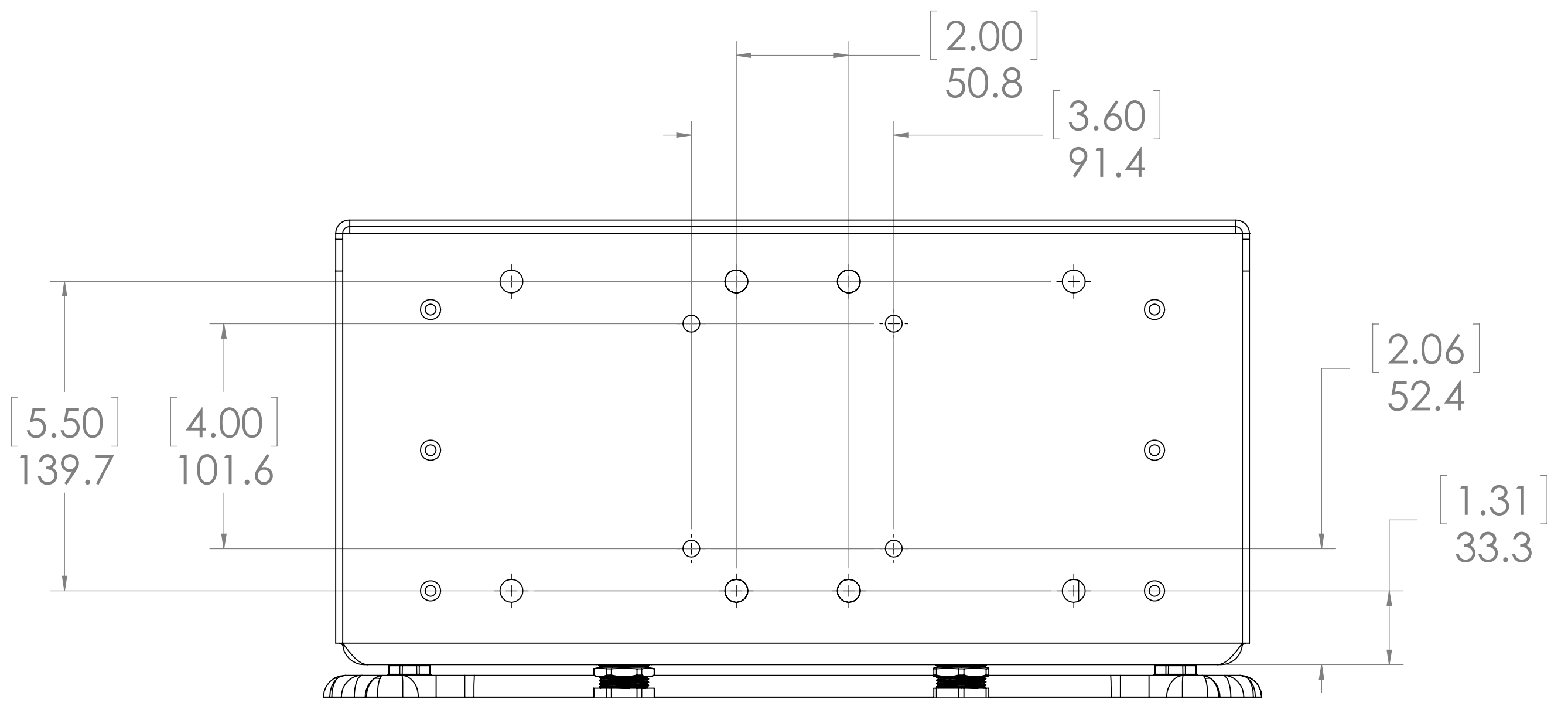
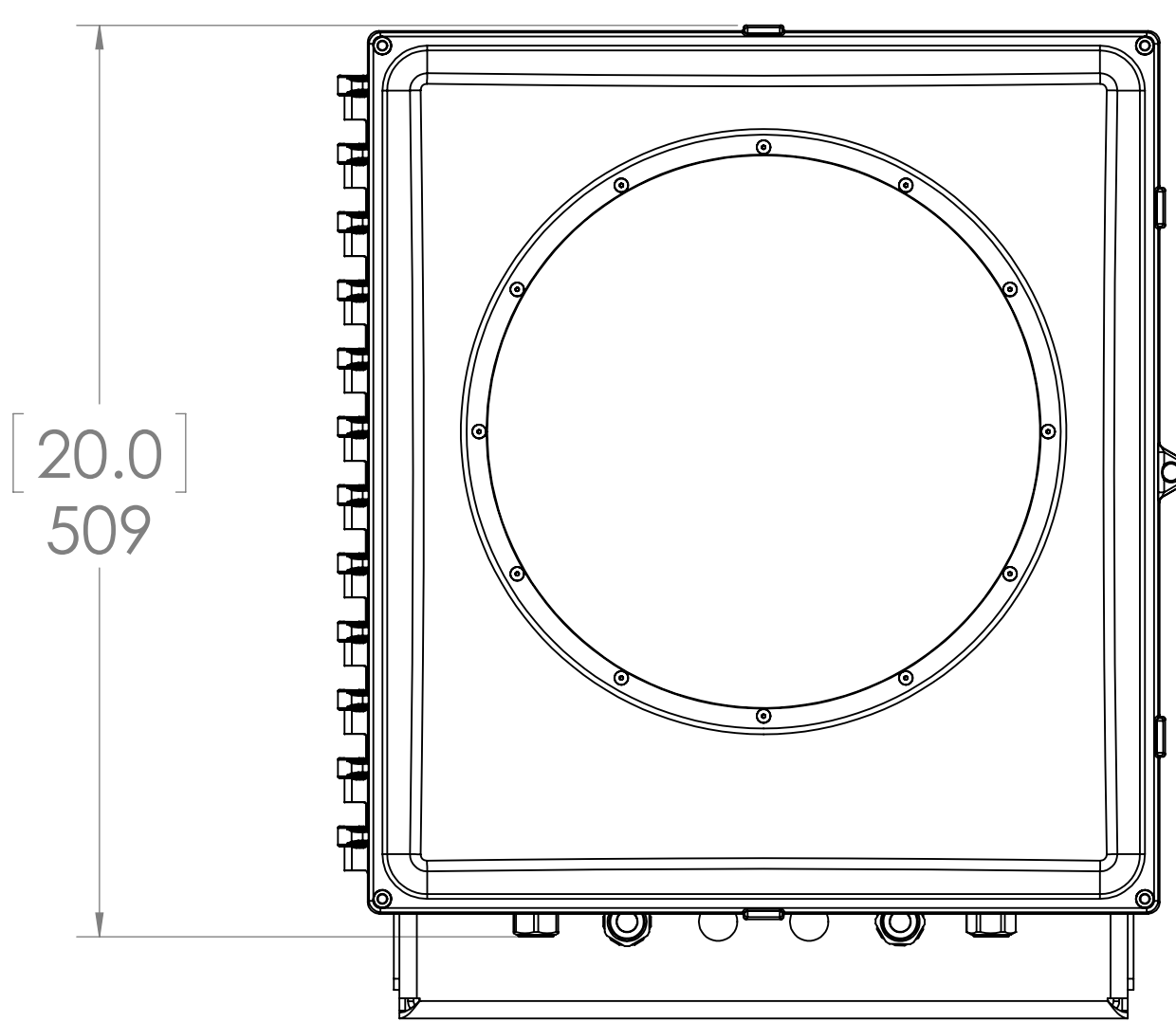
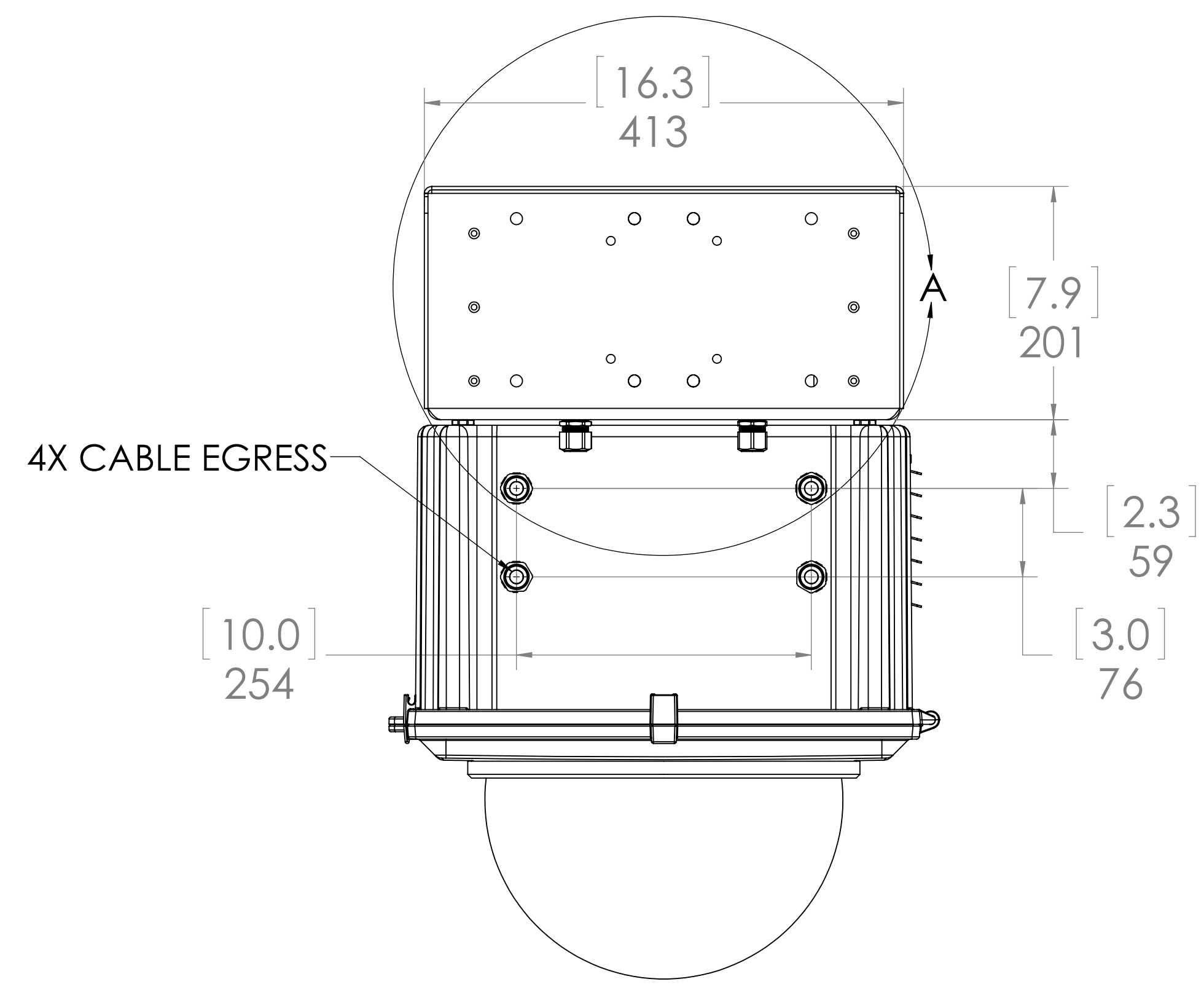
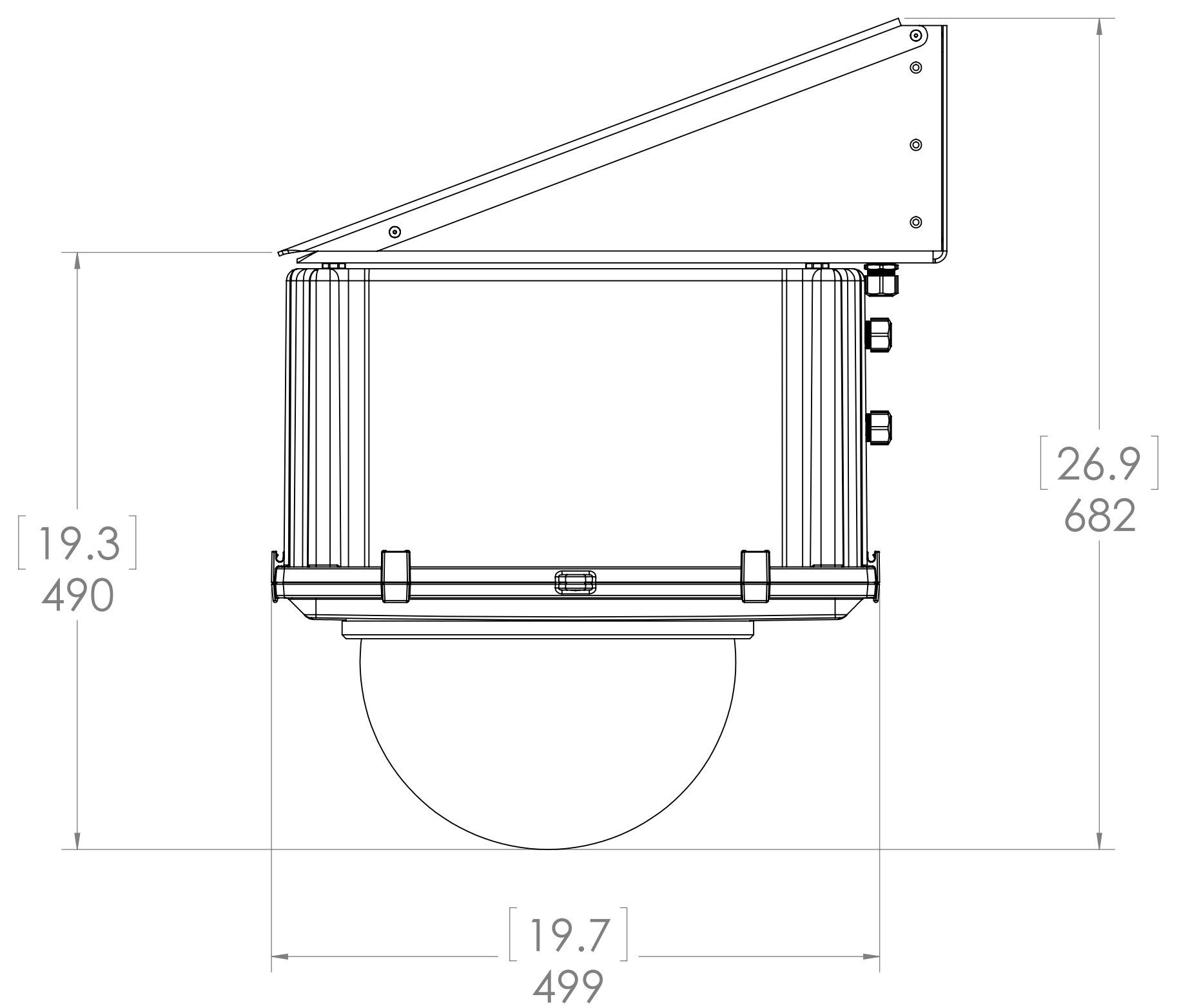
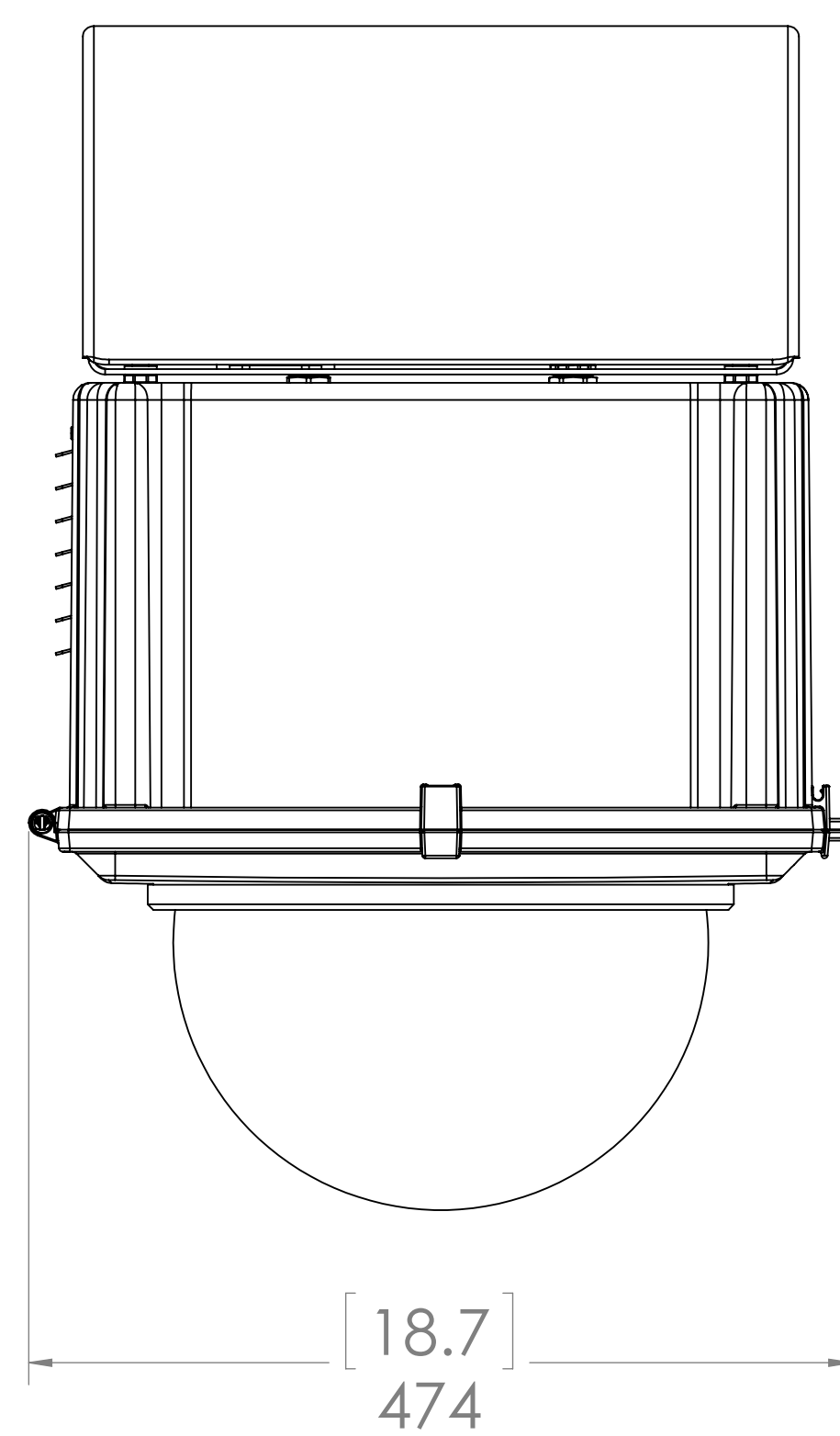
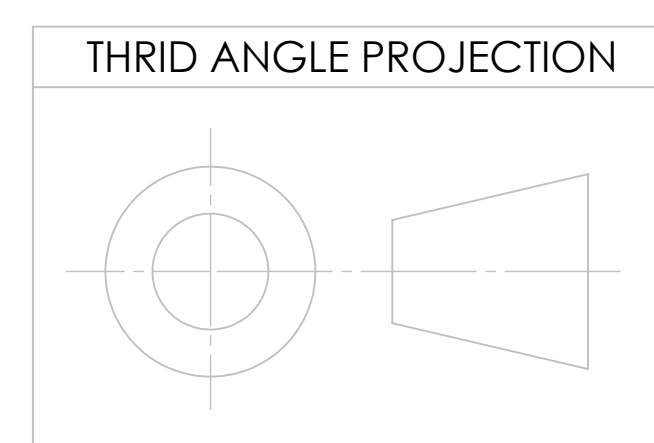


8 7 6 5 4 3 2 1



DETAIL A
MOUNTING PATTERN
SCALE 1 : 2



UNLESS OTHERWISE SPECIFIED:
DIMENSIONS ARE IN mm [INCHES]
TOLERANCES:
FRACTIONAL ± 1/64
ANGULAR: MACH ± 1° BEND ± 3°
NO DECIMAL ± 1.00 [.039"]
ONE PLACE DECIMAL ± 0.25 [.010"]

INTERPRET GEOMETRIC TOLERANCING PER:
ASME Y14.5-2009

MATERIAL	N/A
FINISH	N/A

PROPRIETARY AND CONFIDENTIAL

THE INFORMATION CONTAINED IN THIS DRAWING IS THE SOLE PROPERTY OF DOTWORKZ SYSTEMS. ANY REPRODUCTION IN PART OR AS A WHOLE WITHOUT THE WRITTEN PERMISSION OF DOTWORKZ SYSTEMS IS PROHIBITED.

DRAWN	NAME	DATE
CHECKED	JD	
ENG APPR.		
MFG APPR.		
Q.A.		
COMMENTS:		
WALL MOUNT		

TITLE: DOTWORKZ HD12 ENCLOSURE

SIZE	DWG. NO.	REV
D	HD12	D

SCALE: 1:4 WEIGHT: SHEET 1 OF 2

BROADCAST ENCLOSURE, PANASONIC REV D

8 7 6 5 4 3 2 1