



Overview

The Dotworkz HD12 product line consists of large scale, outdoor housings that are designed to protect the latest AV / Broadcast quality PTZ cameras from the harshest environmental conditions.

With combined COOLDOME™ technology & heater/blower from the original design model, we increased cooling & heating capacity 4-fold. The **HD12-CD4-HBX** is designed to exceed IP66/NEMA 4X standards for ingress protection, providing excellent protection from water, dust, corrosion, and insects.

Key Features

- Power conversion from 120 VAC standards to 12 VDC input for HD cameras and temperature control electronics
- (4X) 400 BTU Solid State Active Coolers for 1600 total BTU, for Hot Environment Protection of high wattage PTZ cameras.
- 130 W integrated heater system capable of protecting high in Extreme Cold Environments both Hot & Cold.
- All Cooling & Heating is Automatic thermostatically controlled to optimize camera thermal protection & clear optical performance.
- Several mounting options from pendant mounted to wall mounted to pole mounted configuration models.

Applications

Use the HD12 system with AV / Broadcast quality cameras at large venues for viewing sports, concerts, and fan reactions with a variety of mounting options available from Dotworkz.

HD12 housings are ideal for weather stations, allowing viewers to see clear imagery in environmentally challenging situations.

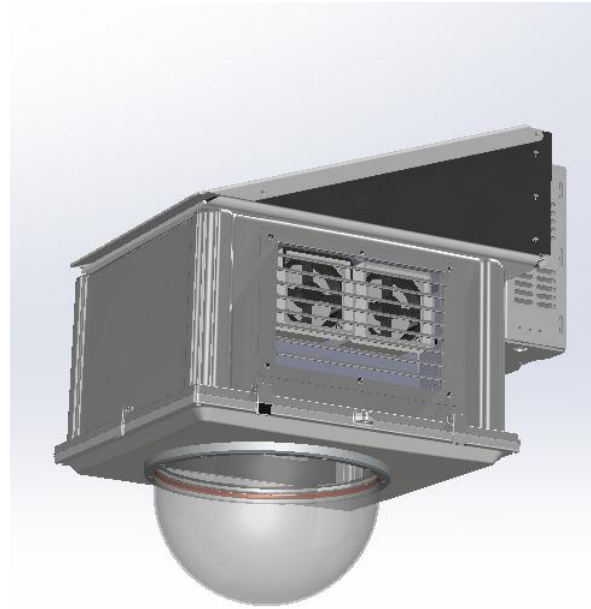
Size & Weight

Product Number	Product Weight	Product Dimensions
HD12-CD4-HBX	60 lbs.	18.7" x 19.7" x 27.4"

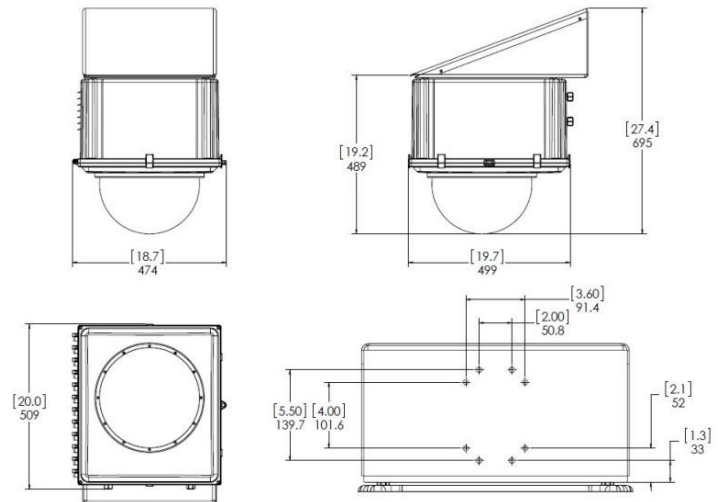
Product Attributes

- Universal size to fit most large form factor Broadcast & AV PTZ models
- RAL Gray uniform finish
- Din Rail internal mounting options for additional hardware and cable management
- Sealed from outside air, dust, water, insects, salt fog, and other conditions to meet or exceed IP66 / NEMA 4X

HD12 Quad Cooler COOLDOME 4x - Coolers & Heater Blower Xtra Heat Extended Temperature Range Configuration: HD12-CD4-HBX



HD12-CD4-HBX default model, Pole & Wall Mount Ready



*Product specifications are subject to change without notice

Dotworkz Systems, Inc.
9340 Stevens Road
Santee, CA. 92071

Sales Inquiries
sales@dotworkz.com

2026 Dotworkz, Inc.

www.dotworkz.com

Toll Free: 866-575-4689
Phone: 619-224-5483
Fax: 619-639-9914