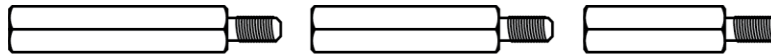


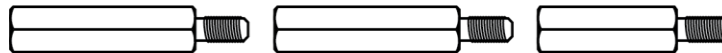


Outdoor Housing Compatibility

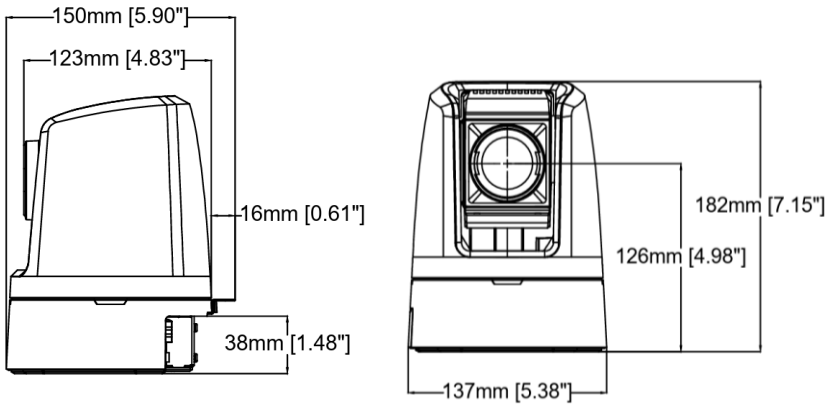
- **D2 & D3:** External Lens + Bottom Mounting + 3.25 in. Standoffs
 - Standoff Combination: **1 1/2" + 1" + 3/4"**



- **D2 only:** External Lens + Top Mounting + 2.75 in. Standoffs
 - Standoff Combination: **1" + 1" + 3/4"**



Camera Specifications (mm)



Power Input	12VDC
Maximum Power Consumption	20 W
Operating Temperatures	-00°C to +40°C
Weight	1.5 kg
Dimensions (L x W x H)	Ø136 x 180 (mm)

Housings Drawings (in.)

