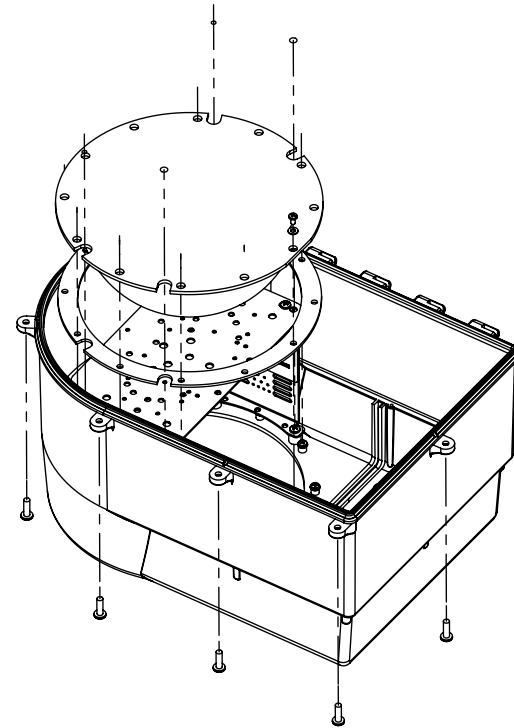


ITEM NO.	PART NUMBER	DESCRIPTION	Default/ QTY
1	D_upper		1
2	D3 Lower V2		1
3	hingepin		1
4	Main_Gasket		1
5	UA Brkt V1		2
6	CB-1007 V5		2
7	Lens_Gasket		1
8	Lens		1
9	Cupped Sealing Washer 0.138		12
10	#6x.25 Phillips Pan head sheetmetal screw		12
11	#8-32x0.5in Pan Head UA-CB		8
12	#10-32 Captive Screw		6



5

4

3

2

1