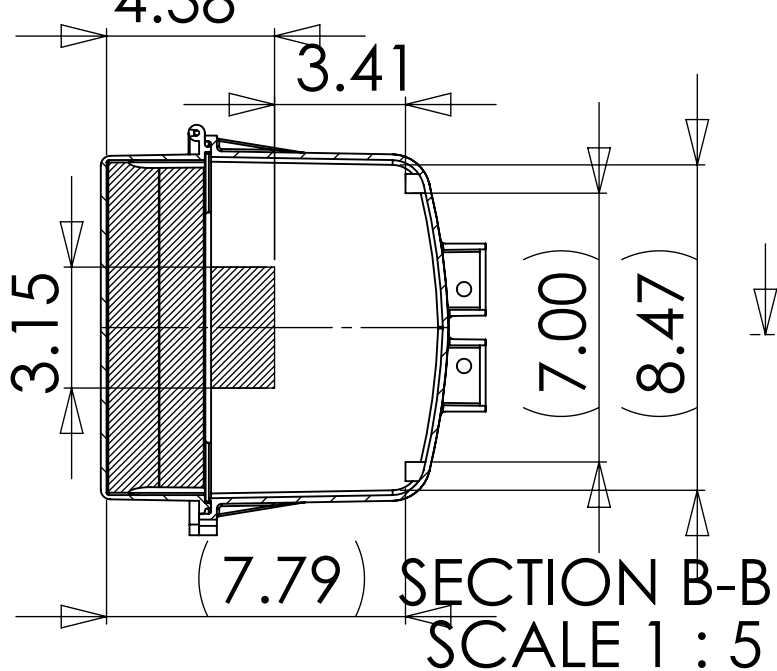
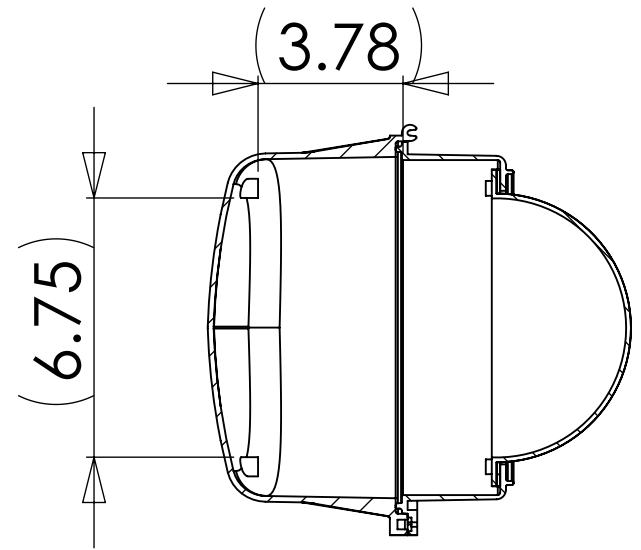
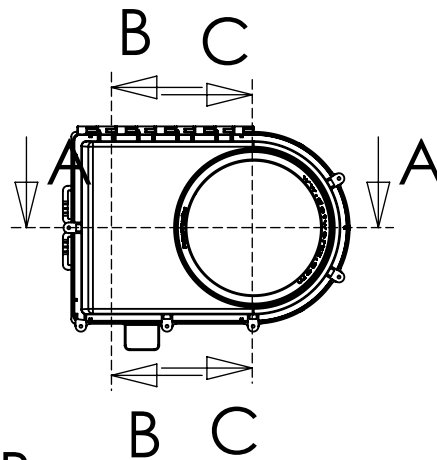


Shaded Reigon:  
Cooling Module  
4.38

SECTION A-A  
SCALE 1 : 5



SECTION B-B  
SCALE 1 : 5



SECTION C-C  
SCALE 1 : 5