



DomeWizardPRO 25' Portable Camera Cleaning Tool

Overview

The DomeWizardPRO 25' by Dotworkz is a versatile cleaning tool designed for high-reach tasks, extending up to 25 feet plus the operator's height. It features four cleaning modes to handle various surfaces, including large PTZ domes and flat lenses. The kit includes a patented cleaning head, extra washable anti-static microfiber mitts, a heavy-duty cleaning cloth, and an 8oz ProClean optical cleaner. Its carbon fiber extension pole ensures quick deployment and easy transportation. This tool is perfect for both indoor and outdoor maintenance, ensuring your equipment stays clean and functional. Additionally, its design eliminates the need for ladders or lifts, enhancing safety and efficiency.



Features

- Effectively removes dirt, pollution, insects, and debris without leaving streaks, ensuring crystal-clear visibility for dome cameras.
- Extends to reach high-mounted cameras, eliminating the need for ladders or lifts and simplifying maintenance tasks.
- Designed to protect optical surfaces from scratches or damage during cleaning, prolonging the lifespan of the camera optics.
- Easy to handle and transport, making it a convenient tool for on-site cleaning in various environments.
- Versatile 4-in-1 design accommodates a wide range of camera models for universal usability.

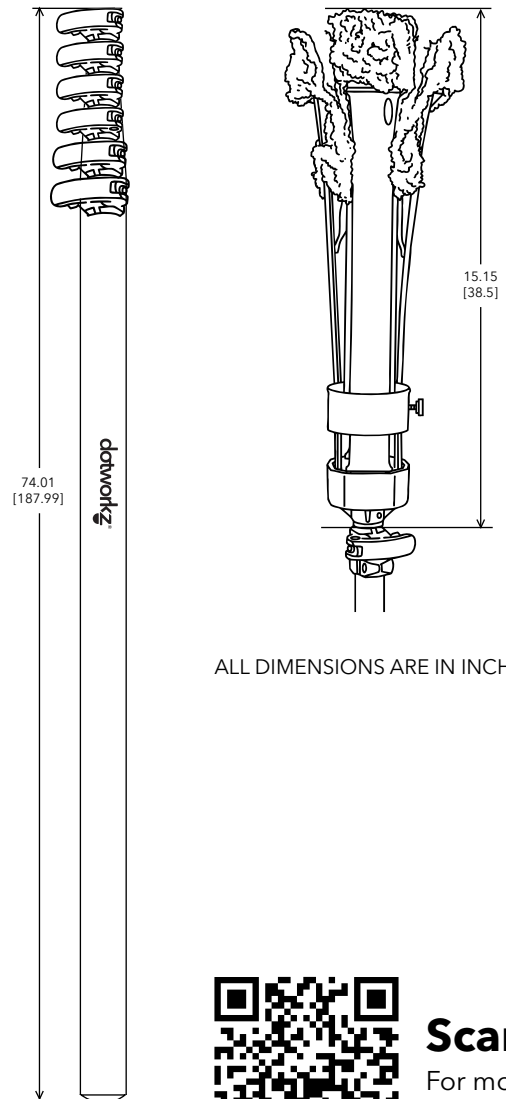
Product Attributes

- Designed for convenience and efficiency, including a specialized cleaning solution for crystal-clear results.
- Adjustable carbon-fiber 25' pole for easy access to high-mounted cameras, with a lightweight portable design plus additional reach of the operator.
- Compatible with all camera sizes, ensuring safe and effective maintenance, extending life and performance of surveillance systems.

Dimensional Specifications

P/N: DW-PKG-25-BL

| | | |
|-----------------|-------------------|---|
| Product | Weight: 4.15 lbs. | Collapsed Dimensions (L x W x H) Ø1.74" x 74.01" |
| | | Expanded Dimensions (L x W x H) Ø1.74" x 302.36" |
| | Weight: 1.88 kg | Collapsed Dimensions (L x W x H) Ø4.42 cm x 187.99 cm |
| | | Expanded Dimensions (L x W x H) Ø4.42 cm x 767.99 cm |
| Shipping | Weight: 12 lbs. | Dimensions (L x W x H) 78" x 6" x 6" |
| | Weight: 5.44 kg | Dimensions (L x W x H) 198 cm x 15 cm x 15 cm |



ALL DIMENSIONS ARE IN INCHES [CM]



Scan

For more
DomeWizard
information

LIMITED WARRANTY

DOTWORKZ PRODUCTS

DOTWORKZ Warrants this Product to be free from defects in material or workmanship, as follows:

PRODUCT CATEGORY

Al Enclosures and Electronics
Power Supplies
Accessory Brackets

PARTS

One (1) Year
One (1) Year
One (1) Year

LABOR

One (1) Year
One (1) Year
One (1) Year

During the warranty period, to repair the product the purchaser will deliver it to Dotworkz Santee, CA or return the defective product, freight prepaid. The product to be repaired is to be returned in either its original carton or a similar package presenting an equal degree of protection with a Return Materials Authorization number displayed on the outer box or packing slip. To obtain RMA # you must contact our Technical Support Team at **866-575-4689**. Dotworkz will return the repaired Product, freight paid. Dotworkz is not obligated to provide purchaser with a substitute unit during the warranty period or at any time. After the applicable warranty period, purchaser must pay all labor and/or parts and shipping charges.

The limited warranty stated in these product instructions is subject to all of the following terms and conditions:

- 1. NOTIFICATION OF CLAIMS: WARRANTY SERVICE:** If purchaser believes that the product is defective in material or workmanship, then a written notice with an explanation of the claim shall be given promptly by purchaser to Dotworkz but all claims for warranty service must be made within the warranty period. If after investigation Dotworkz determines that the reported problem was not covered by the warranty, purchaser shall pay Dotworkz for the cost of investigating the problem at its then prevailing per incident billable rate. No repair or replacement of any product or part thereof shall extend the warranty period as to the entire product. The specific warranty on the repaired part only shall be in effect for a period of ninety (90) days following the repair or replacement of that part or the remaining period of the product parts warranty, whichever is greater.
- 2. EXCLUSIVE REMEDY: ACCEPTANCE:** Purchaser's exclusive remedy and Dotworkz sole obligation is to supply (or pay for) all labor necessary to repair any product found to be defective within the warranty period and to supply, at no extra charge, new or rebuilt replacements for defective parts
- 3. EXCEPTIONS TO LIMITED WARRANTY:** Dotworkz shall have no liability or obligation to purchaser with respect to any product requiring service during the warranty period which is subjected to any of the following: abuse, improper use, negligence, accidents, lightning damage or other acts of God (i.e., hurricanes, earthquakes), modification, failure of the end-user to follow the directions outlined in the product instructions, failure of the end-user to follow the maintenance procedures written and recommended in the product instructions and service manual, or recommended by the International Security Industry Organization. Furthermore, Dotworkz shall have no liability where a schedule is specified for regular replacement, maintenance or cleaning of certain parts (based on usage) that the end-user has failed to abide to such schedule; attempted repair by non-qualified personnel; operation of the Product outside of the published environmental and electrical parameters; if such Product's original identification (trademark, serial number) markings have been defaced, altered, or removed. Dotworkz excludes from warranty coverage products sold AS IS and/or WITH AL FAULTS and excludes used Products which have not been sold by Dotworkz to the Purchaser. All software and accompanying documentation furnished with, or as part of the Product is furnished "AS IS" (i.e., without any warranty of any kind), except where expressly provided otherwise in any documentation or license agreement furnished with the Product.
- 4. PROOF OF PURCHASE:** The purchaser's dated bill of sale must be retained as evidence of the date of purchase and to establish warranty eligibility.

DISCLAIMER OF WARRANTY EXCEPT FOR THE FOREGOING WARRANTIES, DOTWORKZ HEREBY DISCLAIMS AND EXCLUDES ALL OTHER WARRANTIES, EXPRESSED OR IMPLIED, INCLUDING, BUT NOT LIMITED TO ANY AND/OR AL IMPLIED WARRANTIES OF MERCHANTABILITY, FITNESS FOR A PARTICULAR PURPOSE AND/OR ANY WARRANTY WITH REGARD TO ANY CLAIM OF INFRINGEMENT THAT MAY BE PROVIDED IN SECTION 2-312(3) OF THE UNIFORM COMMERCIAL CODE AND/OR IN ANY OTHER COMPARABLE STATE STATUTE, DOTWORKZ HEREBY DISCLAIMS ANY REPRESENTATIONS OR WARRANTY THAT THE PRODUCT IS COMPATIBLE WITH ANY COMBINATION OF NON-V1DEOLARM PRODUCTS OR NON-DOTWORKZ RECOMMENDED PRODUCTS THAT THE PURCHASER CHOOSES TO CONNECT TO THE PRODUCT.

LIMITATION OF LIABILITY THE LIABILITY OF DOTWORKZ, IF ANY, AND PURCHASER'S SOLE AND EXCLUSIVE REMEDY FOR DAMAGES FOR ANY CLAIM OF ANY KIND WHATSOEVER, REGARDLESS OF THE LEGAL THEORY AND WHETHER ARISING IN TORT OR CONTRACT SHALL NOT BE GREATER THAN THE ACTUAL PURCHASE PRICE OF THE PRODUCT WITH RESPECT TO WHICH SUCH CLAIM IS MADE. IN NO EVENT SHALL DOTWORKZ BE LIABLE TO PURCHASER FOR ANY SPECIAL, INDIRECT, INCIDENTAL, OR CONSEQUENTIAL DAMAGES OF ANY KIND INCLUDING BUT NOT LIMITED TO COMPENSATION, REIMBURSEMENT OR DAMAGES ON ACCOUNT OF THE LOSS OF PRESENT OR PROSPECTIVE PROFITS. OR FOR ANY OTHER REASON WHATSOEVER.