

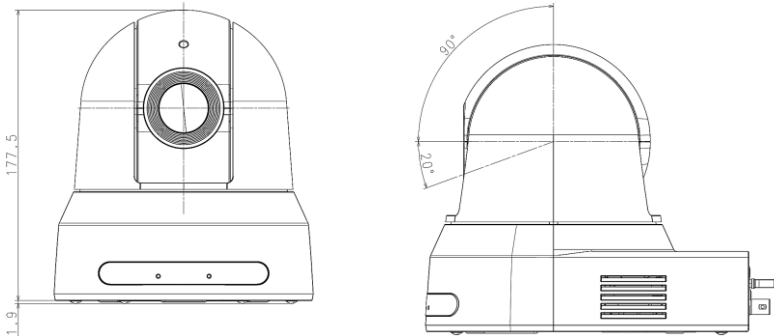


Outdoor Housing Compatibility

- **D2 & D3:** External Lens + Bottom Mounting + 2.5 in. Standoffs
 - Standoff Combination: **1 ½" + 1"**



Camera Specifications (mm)



Power Input	PoE+, 12VDC
Maximum Power Consumption	25.5 W
Operating Temperatures	-00°C to +40°C
Weight	1.8 kg
Dimensions (L x W x H)	200.2 x 158.4 x 177.5 (mm)

Housings Drawings (in.)

