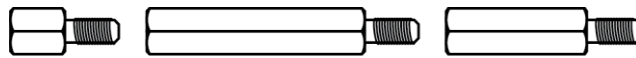


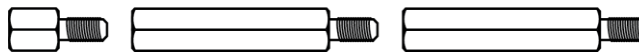


### Outdoor Housing Compatibility

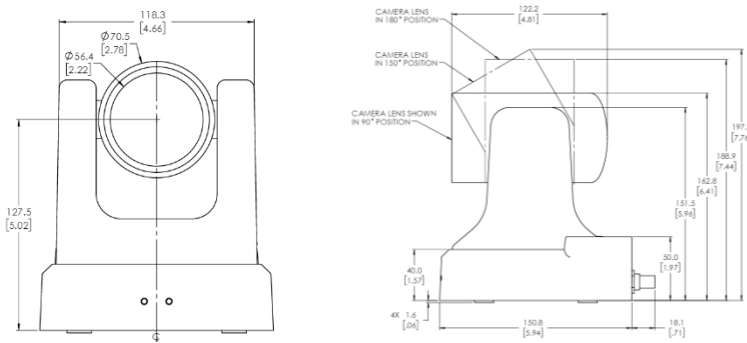
- **D2:** External Lens + Top Mounting + 2.625 in. Standoffs
  - Standoff Combination:  $\frac{3}{8}'' + 1 \frac{1}{2}'' + \frac{3}{4}''$



- **D3:** External Lens + Bottom Mounting + 3.375 in. Standoffs
  - Standoff Combination:  $\frac{3}{8}'' + 1 \frac{1}{2}'' + 1 \frac{1}{2}''$



### Camera Specifications (mm, [in.])



Power Input	<b>PoE, 12VDC</b>
<b>Maximum Power Consumption</b>	12.95 W
Operating Temperatures	<b>-00°C to +40°C</b>
<b>Weight</b>	1.6 kg
Dimensions (L x W x H)	<b>170 x 142 x 201 (mm)</b>

### Housings Drawings (in.)

