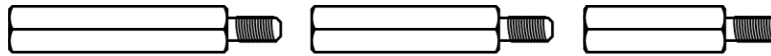


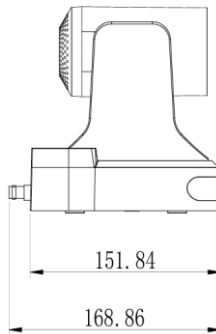
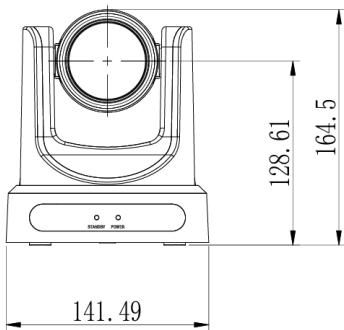


Outdoor Housing Compatibility

- **D2 & D3:** External Lens + Bottom Mounting + 3.25 in. Standoffs
 - Standoff Combination: **1 1/2" + 1" + 3/4"**



Camera Specifications (mm)



Power Input	PoE, 12VDC
Maximum Power Consumption	24 W
Operating Temperatures	-10°C to +40°C
Weight	1.47 kg
Dimensions (L x W x H)	169 x 142 x 189 (mm)

Housings Drawings (in.)

