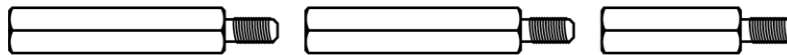


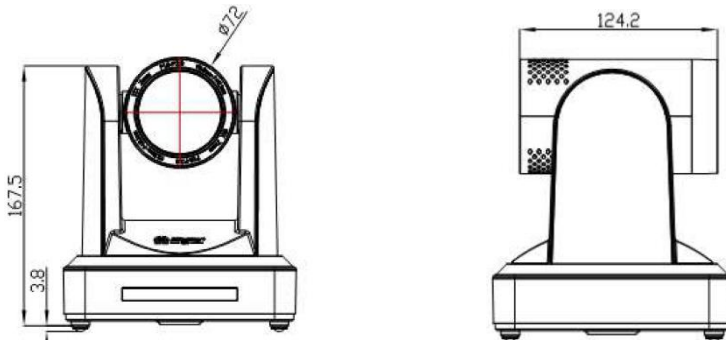


Outdoor Housing Compatibility

- **D2 & D3:** External Lens + Bottom Mounting + 3.75 in. Standoffs
 - Standoff Combination: **1 1/2" + 1 1/2" + 3/4"**



Camera Specifications (mm)



Power Input	12VDC
Maximum Power Consumption	12 W
Operating Temperatures	-10°C to +50°C
Weight	1.4 kg
Dimensions (L x W x H)	150 x 150 x 167.5 (mm)

Housings Drawings (in.)

