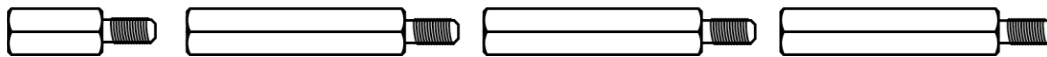


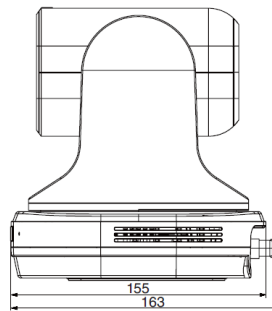
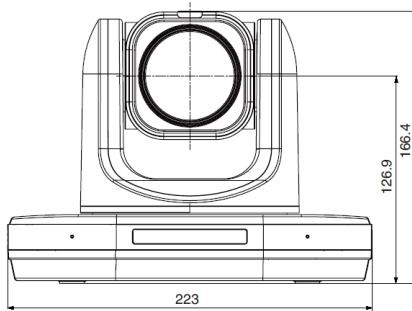


## Outdoor Housing Compatibility

- **HD12:** 5.0 in. Standoffs
  - Standoff Combination:  $\frac{1}{2}'' + 1 \frac{1}{2}'' + 1 \frac{1}{2}'' + 1 \frac{1}{2}''$



## Camera Specifications (mm)



Power Input	<b>PoE+, 12VDC</b>
<b>Maximum Power Consumption</b>	12 W
Operating Temperatures	<b>-00°C to +40°C</b>
<b>Weight</b>	2.0 kg
Dimensions (L x W x H)	<b>223 x 163 x 166.4 (mm)</b>

## Housings Drawings (in.)

