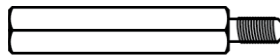


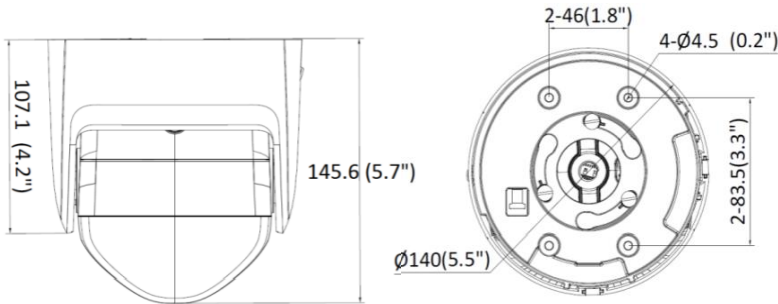


### Outdoor Housing Compatibility

- **D2 & D3:** External Lens + Bottom Mounting + 1.5 in. Standoffs
  - Standoff Combination: **1 ½"**



### Camera Specifications (mm, (in.))



Power Input	<b>PoE, 12VDC</b>
<b>Maximum Power Consumption</b>	12.5 W
Operating Temperatures	<b>-30°C to +60°C</b>
<b>Weight</b>	0.94 kg
Dimensions (L x W x H)	<b>140 x 140 x 145.6 (mm)</b>

### Housings Drawings (in.)

