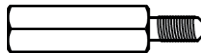


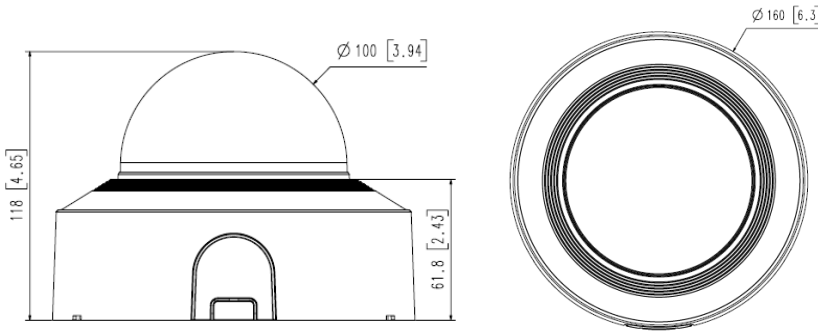


Outdoor Housing Compatibility

- **D2 & D3:** Internal Lens + Bottom Mounting + 0.75 in. Standoffs
 - Standoff Combination: $\frac{3}{4}$ "



Camera Specifications (mm, [in.])



Power Input	PoE, 12VDC
Maximum Power Consumption	13.2 W
Operating Temperatures	-40°C to +55°C
Weight	1.45 kg
Dimensions (L x W x H)	160 x 160 x 118 (mm)

Housings Drawings (in.)

