

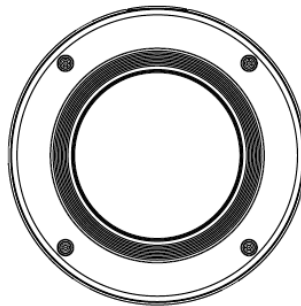
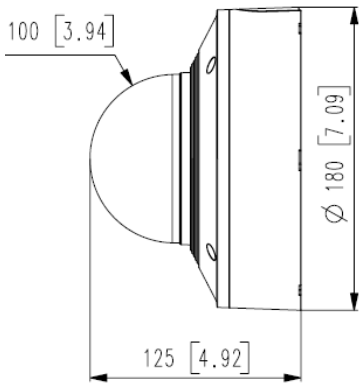


Outdoor Housing Compatibility

- **D2 & D3:** Internal Lens + Bottom Mounting + 1.75 in. Standoffs
 - Standoff Combination: **1" + 3/4"**



Camera Specifications (mm, [in.])



Power Input	PoE+, 12VDC
Maximum Power Consumption	22.5 W
Operating Temperatures	-50°C to +55°C
Weight	1.9 kg
Dimensions (L x W x H)	180 x 180 x 125 (mm)

Housings Drawings (in.)

