

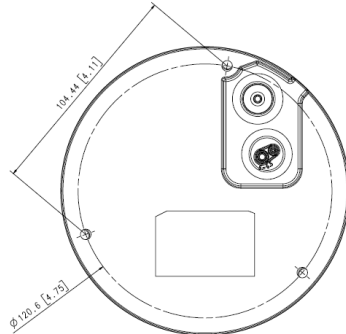
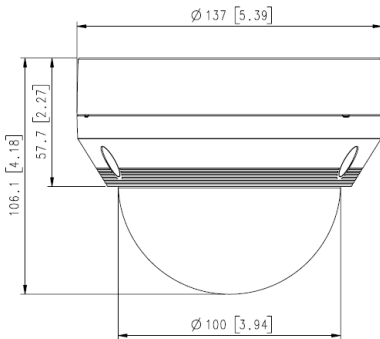


### Outdoor Housing Compatibility

- **D2 & D3:** Internal Lens + Bottom Mounting + 0.5 in. Standoffs
  - Standoff Combination: 1/2"



### Camera Specifications (mm, [in.])



Power Input	<b>PoE</b>
<b>Maximum Power Consumption</b>	8.9 W
Operating Temperatures	<b>-30°C to +55°C</b>
<b>Weight</b>	0.7 kg
Dimensions (L x W x H)	<b>137 x 137 x 106.1 (mm)</b>

### Housings Drawings (in.)

