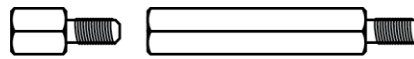


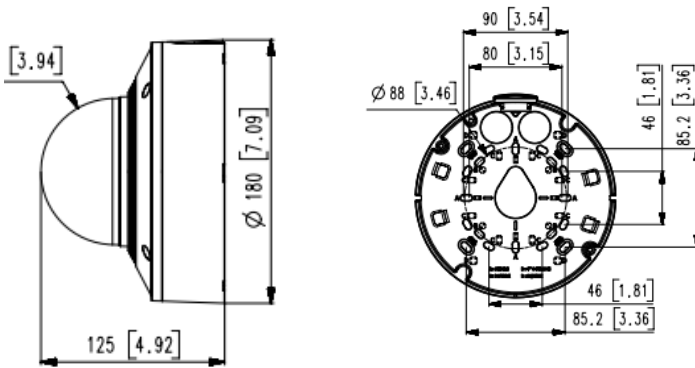


**Outdoor Housing Compatibility**

- **D2 & D3:** Internal Lens + Bottom Mounting + 1.875 in. Standoffs
  - Standoff Combination:  $\frac{3}{8}$ " + 1  $\frac{1}{2}$ "



**Camera Specifications (mm, [in.])**



Power Input	<b>PoE+, 12VDC</b>
<b>Maximum Power Consumption</b>	20 W
Operating Temperatures	<b>-40°C to +55°C</b>
<b>Weight</b>	1.9 kg
Dimensions (L x W x H)	<b>180 x 180 x 125 (mm)</b>

**Housings Drawings (in.)**

