

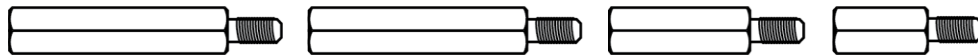


Outdoor Housing Compatibility

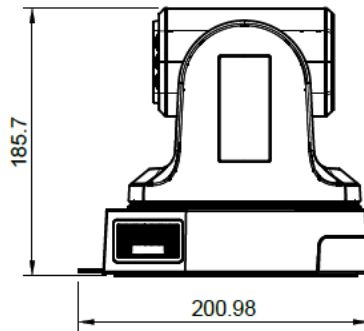
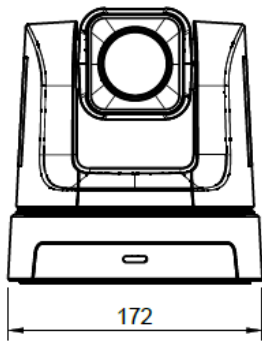
- **D2:** External Lens + Top Mounting + 1.75 in. Standoffs
 - Standoff Combination: **1" + 3/4"**



- **D3:** External Lens + Bottom Mounting + 4.25 in. Standoffs
 - Standoff Combination: **1 1/2" + 1 1/2" + 3/4" + 1/2"**



Camera Specifications (mm)



Power Input	PoE+, 12VDC
Maximum Power Consumption	18 W
Operating Temperatures	-00°C to +40°C
Weight	2.31 kg
Dimensions (L x W x H)	185.7 x 171.9 x 200.9 (mm)

Housings Drawings (in.)

