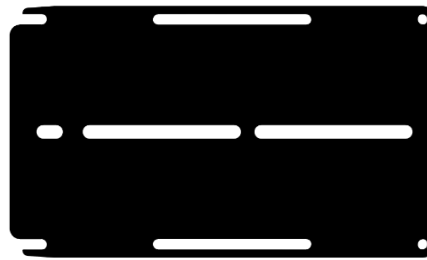




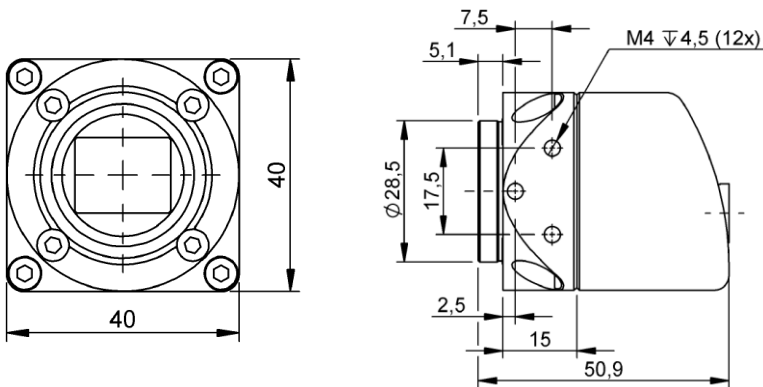
Outdoor Housing Compatibility

- **S-TYPE:** Camera Bracket



- **B.A.S.H.:** *Standoff varies with Length of Lenses

Camera Specifications (mm)



Power Input	10-28VDC
Maximum Power Consumption	4.5 W
Operating Temperatures	-00°C to +45°C
Weight	0.11 kg
Dimensions (L x W x H)	40 x 40 x 50.9 (mm)

Housings Drawings (in.)

