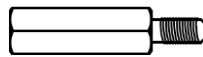


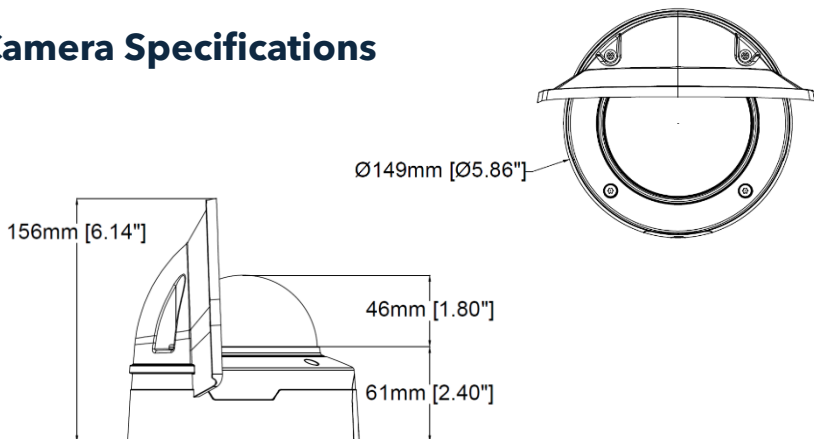


Outdoor Housing Compatibility

- **D2 & D3:** Internal Lens + Bottom Mounting + 0.75 in. Standoffs
 - Standoff Combination: $\frac{3}{4}$ "



Camera Specifications



Power Input	PoE
Maximum Power Consumption	12.1 W
Operating Temperatures	-40°C to +50°C
Weight	0.9 kg
Dimensions (L x W x H)	149 x 149 x 107 (mm)

Housings Drawings (in.)

