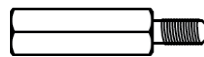


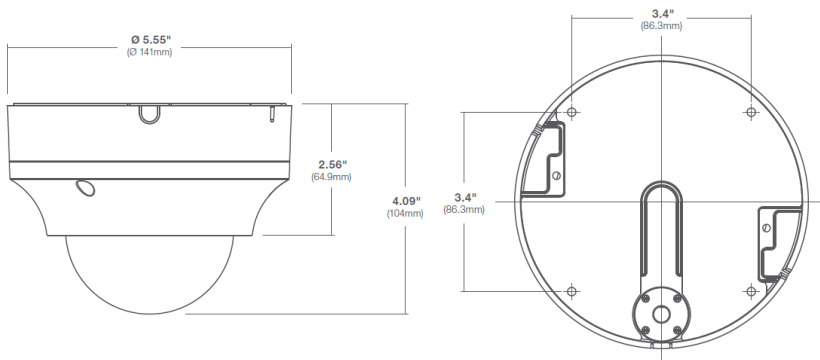


Outdoor Housing Compatibility

- **D2 & D3:** Internal Lens + Bottom Mounting + 0.75 in. Standoffs
 - Standoff Combination: **3/4"**



Camera Specifications



Power Input	PoE, 12VDC
Maximum Power Consumption	10 W
Operating Temperatures	-20°C to +50°C
Weight	0.95 kg
Dimensions (L x W x H)	141 x 141 x 104 (mm)

Housings Drawings (in.)

