



Applications

BASH (Ballistic Anti-Shock Housing) enclosures can be deployed in a wide variety of installations. Use BASH housings to protect your surveillance investment in marine applications, security, correctional facilities, fleet monitoring, or in fixed installations for perimeter control.

Overview

The BASH product line consists of small scale, outdoor housings that are designed to protect high quality cameras in mobile applications. All models of the BASH are designed to meet the IP68 ingress protection standard, providing excellent protection from water, dust, marine environments, and vandal abuse.

Size & Weight

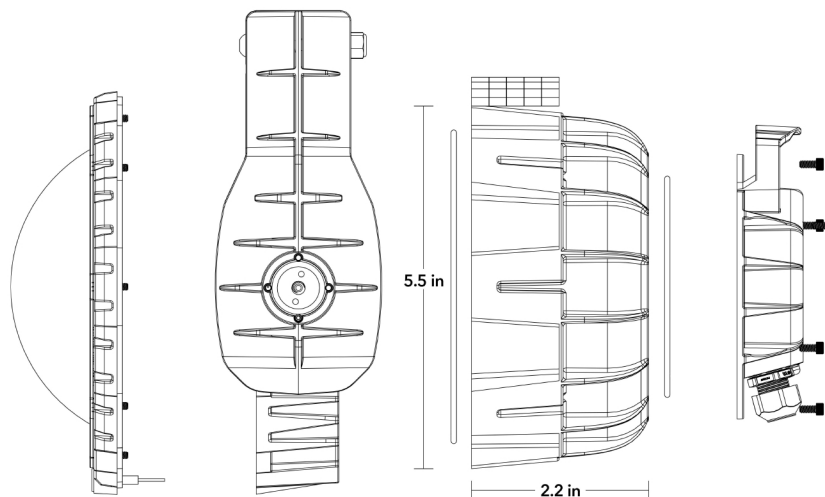
Product Name	Product Weight	Product Dimensions
BASH LX	3.14	8.85" x 8.5" x 6.57"

Technical Specifications

- IP68 Sealed per IEC 60529 standard
- Safety per UL/IEC 60950 -1 and -22 standard
- IK10+ Protective lens element
- Polycarbonate thermoplastic blend for strength
- Polycarbonate lens for impact resistance with 316 Stainless
- Fasteners for corrosion resistance
- Optional ballistic impact lens system
- Optional flat lens
- Optional dome lens

BASH Product Line

BASH LX



*Cameras must be smaller than 5.5"

Compatible Cameras



M3088-V



M3086-V



M3085-V



M4218-V



M4218-LV

*Cameras sold separately