

## Versatile, Virtually Indestructible and Ready for the Extreme

Not just a camera enclosure but an engineered outdoor housing system that is designed to expand all indoor camera models into complete rugged outdoor system solutions.

Virtually Indestructible: We produce the world's toughest enclosures. They will not corrode, rust, leak and have proven to withstand a whole world of abuse.

No matter the climate we take outdoor temperature protection very seriously: Extreme Hot climates, Cold climates, Marine and everywhere in between.



innovative

## D3-HB-SOLAR: Dotworkz D3 Power Saver Heater Blower for Solar Applications



### Description:

The D3-HB-Solar protects cameras by using a low wattage heater "ring" that encircles the camera and is affixed directly to the dome lens having 4 watts of direct heating. This allows the Solar version to keep the lens clear of fogging more efficiently.

Compatible with virtually all IP and analog PTZ camera on the market.

This rugged air/water tight enclosure provides the ultimate protection of camera and other sensitive components inside. Heater Blower is ideal in weather conditions ranging from 30F (-1°C) to 95F (35°C). Designed for temperate climates.

### Specs:

Operating Temperature (Absolute/Rec.):

-25° to 140° F (-32° C to 60° C)

0° to 120° F (-17° C to 49° C)

Power Consumption:

Less than 7 watts peak, + camera load @ 12VDC input/output model

Input Power Source/Outputs for Camera Power:

12VDC/12VDC

Internal Power Available for Camera:

3 amps @ 12 VDC on typical model

Shipping: 22" x 13" x 16" - 12 lbs (5.4 Kg)

\*Optional Step up power supply available for 12 VDC input supply side (PS-SU24), 24 VDC to power camera models, add 35% to camera power load consumption.

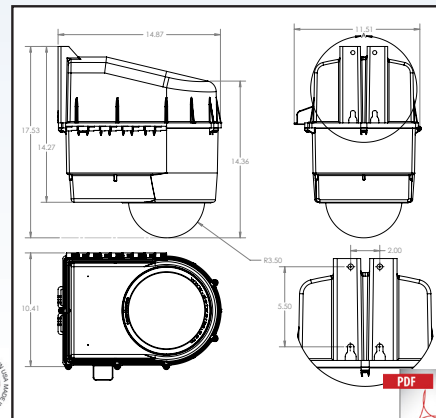
\*24 V input models Available by Special order



MADE IN USA  
DOTWORKZ  
2008 IN 2008 BY THE  
C LISTED US

### Features:

- Solar ready, low wattage solution
- Enables IP and analog cameras to operate in average weather conditions and temperatures ranging from 30°F to 95°F
- Heater "ring" goes around camera and is affixed directly to the dome for direct heating.
- Internal bracket included for perfect fit for PTZ, megapixel or mini domes. Designed to work with all brands of IP and analog PTZ cameras
- Virtually indestructible Polycarbonate Thermal Plastic alloy. IP66 rated against dust, water and salt water air & IP68 water proof connection ports
- Switchable upper and lower camera mounting locations for maximum versatility and internal storage space
- 60% bigger then our D2 models -- Internal mounting space for IP hardware: routers, cell networks, NVR, hard drives, UPS, WiMax, mesh hardware, etc.



remote video solutions

www.dotworkz.com 866.575.4689

