

Overview

The Dotworkz Pole Mount is designed to be mounted to a lamp pole or structural post. Flat mounting surface accepts all Dotworkz D Series enclosures.

Key Features

- 100 lb. load rating
- All aluminum construction
- Epoxy painted per Mil-P-53022-Type 1

Applications

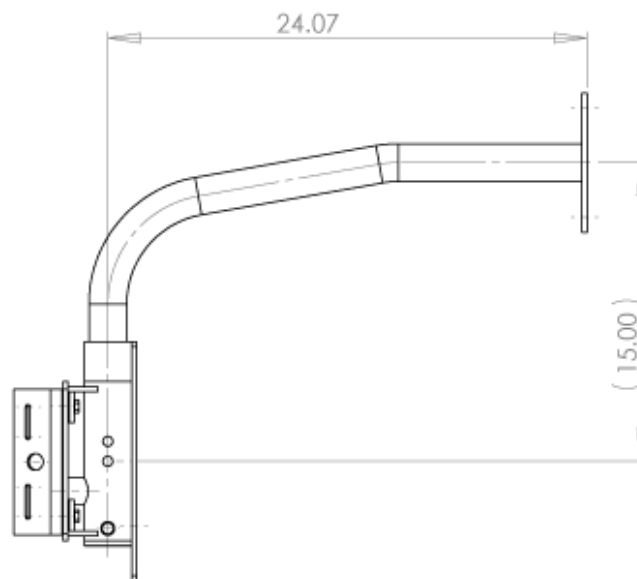
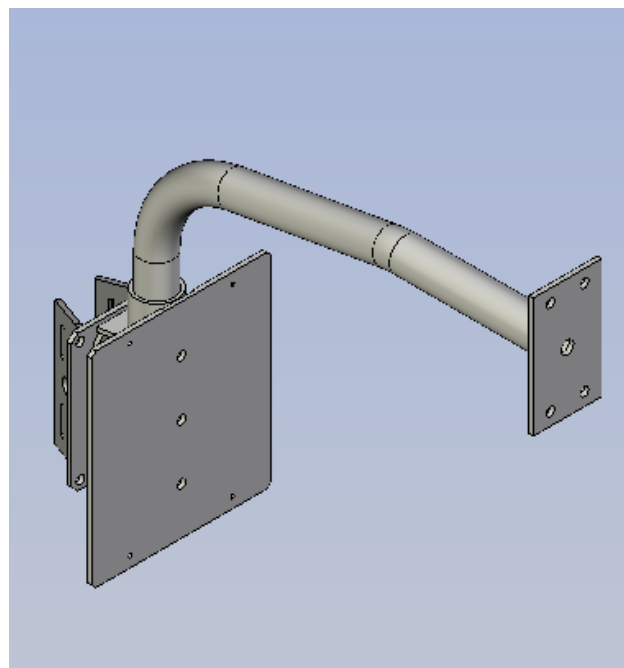
Mount to lamp pole or structural post. Accepts all Dotworkz D Series enclosures.

Shipping Specifications

Part Number	Unit Weight	Shipping Weight
BR-DPM1	15.4 lbs	17 lbs

Product Attributes

Body Construction	Aluminium
Environment	Outdoor
Mount Style	Pole
RoHS	Yes
WEEE	Yes



*Product specifications are subject to change without notice.