

BALLISTIC SHIELD for S-Type Housings

Product Number: KT-SHIELD-ST

Overview

Dotworkz now offers a Ballistic Shield accessory for the S-Type Housings.

KT-SHIELD-ST is a cost effective, field installable solution to protect Camera & Housing from ballistic damage to the S-Type housing. Ideal for City wide deployments & environments requiring ballistic protection.

Designed as a streamlined and clean covering to the S-Type Housing & offered in two thickness's gages for optimized protection needs.



Heavy Gage Stainless Steel Construction with Rugged White Powder Coat Environmental Finish

Key Features

- Stainless Steel Protective covering for S-Type Series Housings
- Available in 0.22 Cal Resistant, 16gg Stainless Steel as standard offering
- Available in 0.38 Cal Resistant, 12gg Stainless Steel
- Rugged White Powder Coat Paint matching housing color
- Field Installable with simple tools
- Equipped with Stainless Steel Closure Hardware
- Compatible with S-Type Environmental Enclosure Models, including HB-MVP, TR-MVP, RF-MVP, HB-SOLAR, & ST-BASE models
- Ideal for Industrial, Marine, Government, and Commercial Security deployments requiring ballistic tough Housing protection



(S-Type Housing kit & Ballistic Cover Sold Separately)

Applications

Dotworkz KT-Shield Ballistic Armor is the most durable protection solution to date. Engineered with dual energy absorption system of heavy gage stainless steel and virtually indestructible thermoplastic, the KT-Shield protects against small arms fire up to 9mm and .38 caliber ranges* and all forms of vandalism. The IK10 rated Cover, and Dotworkz S-Type Housings, provide the highest rate of protection possible for sensitive cameras and electronic equipment.

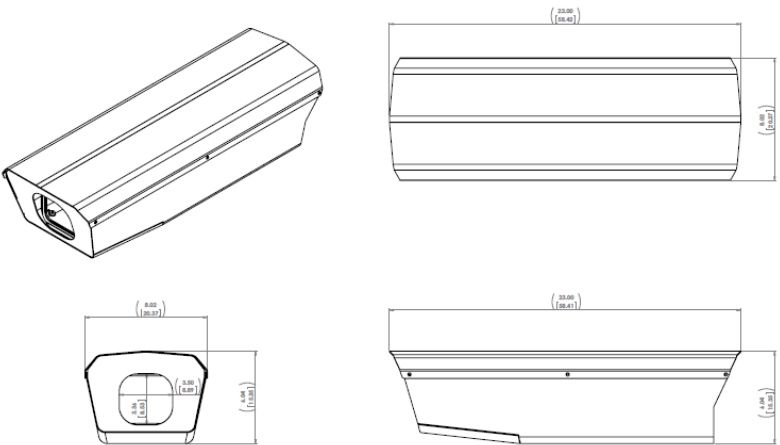
Shipping Specifications

Product Number	Product Weight	Product Dimensions
KT-SHIELD-ST	9.6 lbs	23"l x 8.02"w x 6.04"h
	Shipping Weight	Shipping Dimensions
	TBD lbs	TBD

Product Attributes

- Ballistic Protection for the Toughest Urban, Commercial, and Industrial Zones
- Clean and Simple Design with Thermally Smart White Powder Coat Finish
- Dotworkz Heavy Gage Super Tough Stainless Steel All Environment Construction
- Also Reduces Solar Loading & Internal Housing Temperature as a solar covering
- Designed to meet or exceed UL-752 level 1 Ballistic Protection needs

KT-SHIELD-ST Dimensional Drawings



*Product specifications are subject to change without notice