

BASH™

Ballistic Anti-Shock Housing

Overview

The BASH product line consists of small scale, outdoor housings that are designed to protect high quality cameras in mobile applications. All models of the BASH are designed to meet the IP68 ingress protection standard, providing excellent protection from water, dust, marine environments, and vandal abuse. These housings come standard with a 12-point vibration isolation system for maintaining high quality video in extreme applications.

Size & Weight

Product Number	Product Weight	Product dimensions
BASH OG	3.6 lbs	8.72" x 8.84" x 4.16"
BASH G-Pro	3.7 lbs	8.72" x 8.84" x 4.16"
BASH All Pro	3.8 lbs	8.72" x 8.84" x 5.67"

Camera Compatibility

For a complete list of all compatible cameras for BASH including but not limited to Axis, GoPro, Panasonic, Samsung, and Sony, go to: <http://www.dotworkz.com/bash-compatibility>

Applications

BASH (Ballistic Anti-Shock Housing) enclosures can be deployed in a wide variety of installations. Use BASH housings to protect your surveillance investment in mobile applications such as first responders and fleet monitoring, or in fixed installations for perimeter control.

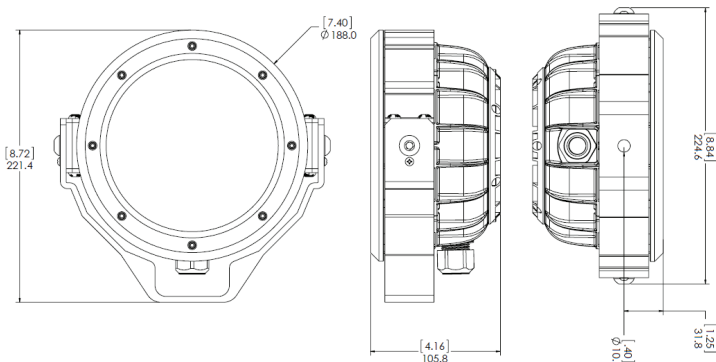
Technical Specifications

- 12VDC to 5VDC Continuous Power Management
- PoE or 12VDC Powered Heater Blower providing PoE to Camera
- IP68 Sealed per IEC 60529**
- Safety certified per UL/IEC 60950 -1 and -22**
- Vibration resistant per MIL-STD-810G**
- Built-in Exterior Mounted Water Proof Microphone
- IK10+ Protective lens element**
- TYPE III Hard Anodized 6061-T6 Aluminum Alloy
- Polycarbonate + Polyester thermoplastic blend for strength and chemical resistance
- Metalized, reflective polycarbonate lens for impact resistance
- 316 Stainless Steel fasteners for corrosion resistance
- Optional Vandal Proof Stainless Steel Hardware Pack
- Optional Metalized (Mirrored) High Impact lens system
- Optional Ballistic Impact lens system

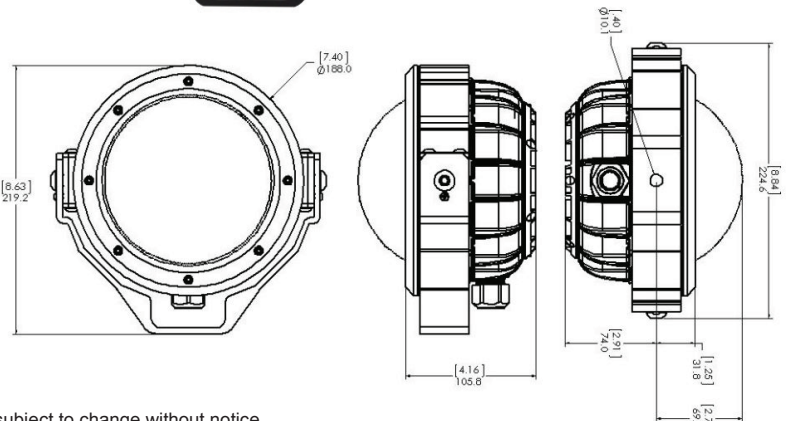
** Testing in process. Certifications pending.

BASH Product Line

BASH Original and BASH G-Pro



BASH All-Pro PoE



*Product specifications are subject to change without notice



Dotworkz Systems, Inc.
3688 Midway Drive
San Diego, CA. 92110

Sales Inquiries
sales@dotworkz.com
www.dotworkz.com
2015 Dotworkz, Inc.

Toll Free: 866-575-4689
Phone: 619-224-5483
Fax: 619-639-9914