

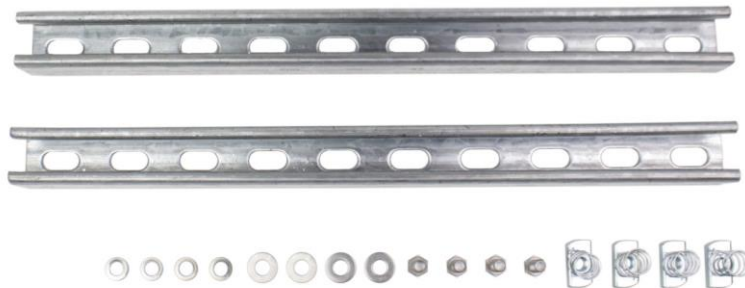
KT-STRUT

by dotworkz, for mounting BRZ12 Housings

Hardware Included:

(2X) UniStrut 1-5/8 in x 1-5/8 in x 20", (4X each of fasteners) 3/8" Split Lock Washers, 3/8" Flat Washers, 3/8"-16 x 1" Hex Bolts, 3/8"-16 UniStrut Spring Clamp Nuts

Top View



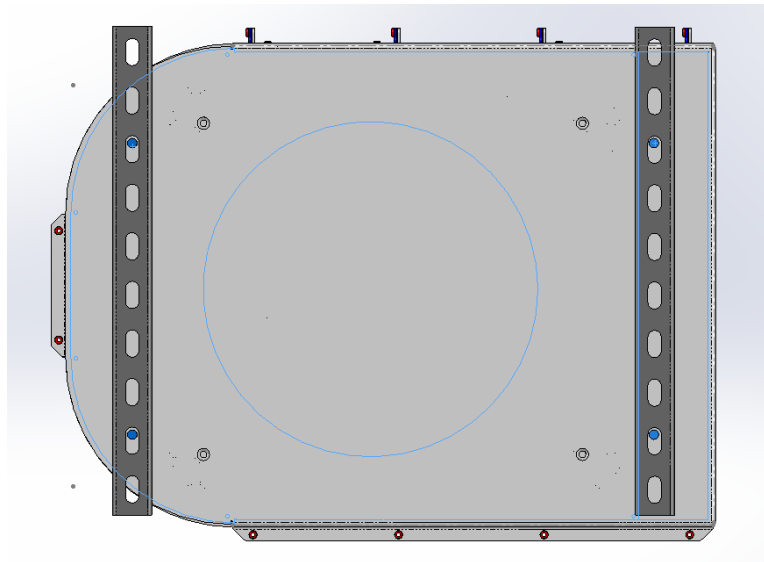
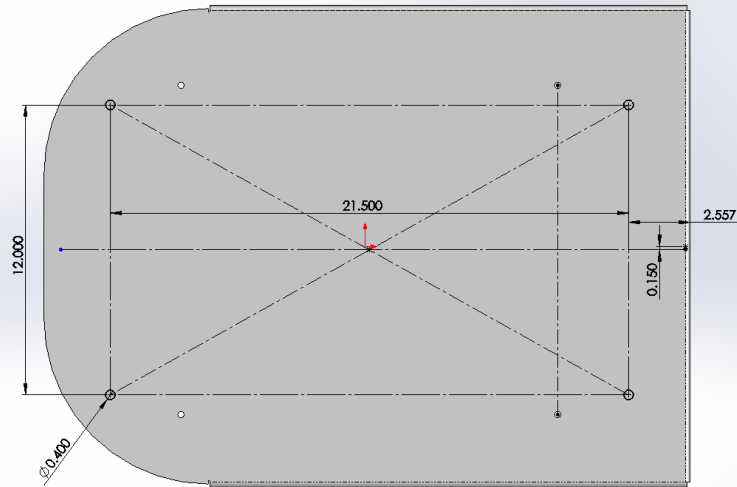
Side View



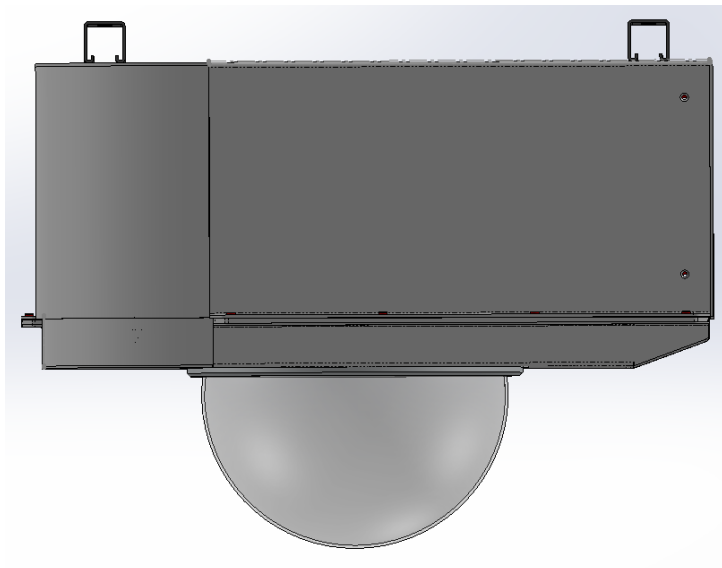
NOTICE:

It is up to the End User / Installer to provide adequate anchoring hardware to secure UniStrut Channel Metal to Ceiling, Wall, or other structures. It is up to End User / Installer to assure Structure is strong enough to anchor KT-STRUT & BRZ12 Housing, and provide adequate Anchoring to safely & securely to structures these products are being installed onto.

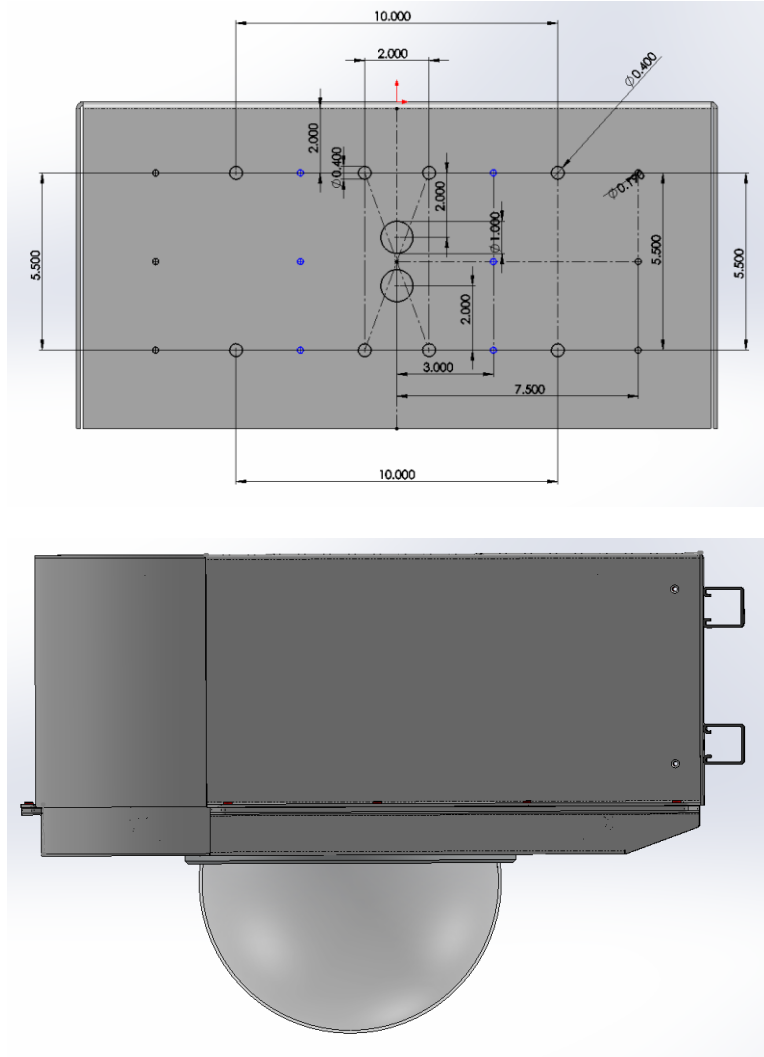
PENDANT / CEILING MOUNTING OF BRZ12



Pre-mount UniStrut to ceiling @ 21.5" O.C. Spacing oriented as shown above & below, then place Spring Clamping Nuts into UniStrut centered & spaced @ 12" O.C. into UniStrut channel. Open Bottom Clamshell of BRZ12 Aluminum outer shell to Access front & Back Mount Holes. Lift BRZ12 into place & use provided 3/8" bolts & washers to Secure BRZ12 to UniStrut Nuts & ceiling structure.



WALL MOUNTING OF BRZ12



Pre-mount UniStrut to wall @ 5.5" O.C. Spacing oriented as shown above & below, then place Spring Clamping Nuts into UniStrut centered & spaced @ 10" O.C. into UniStrut channel. Open Bottom Clamshell of BRZ12 Aluminum shell to Mount & Access Rear Holes, while lifting BRZ12 Housing into place, & anchor to UniStrut Spring Nuts using provided 3/8" bolts & washers to Secure BRZ12 to ceiling structure.

