

BR-CPM1 Compact Parapet Mt

NOTES: UNLESS OTHERWISE SPECIFIED

1. MATERIAL: ALUMINUM 6061-T6
2. FINISH:
 - I. DEBURR AND BREAK SHARP EDGES 0.25 [.010"] MIN.
 - II. POWDER COAT PAINT, WHITE POWDERCOAT SEMI-GLOSS TIGER/ DRYLAC WHITE 49/13721
3. PART CAD GENERATED. ALL DIMENSIONS NOT SHOWN ARE DERIVED FROM SOLID MODEL.
4. UNLESS OTHERWISE SPECIFIED:

DIMENSIONS ARE IN INCHES

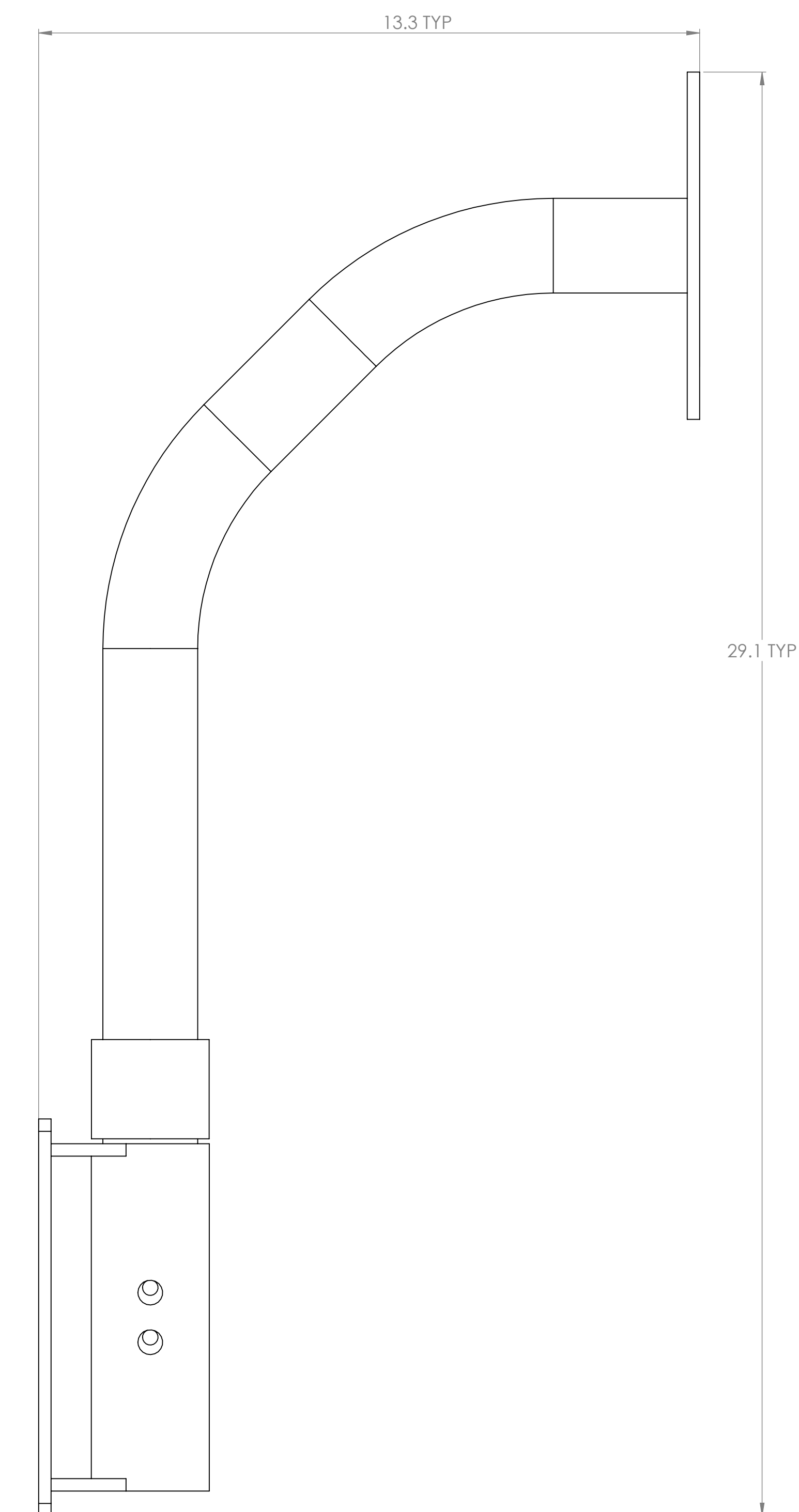
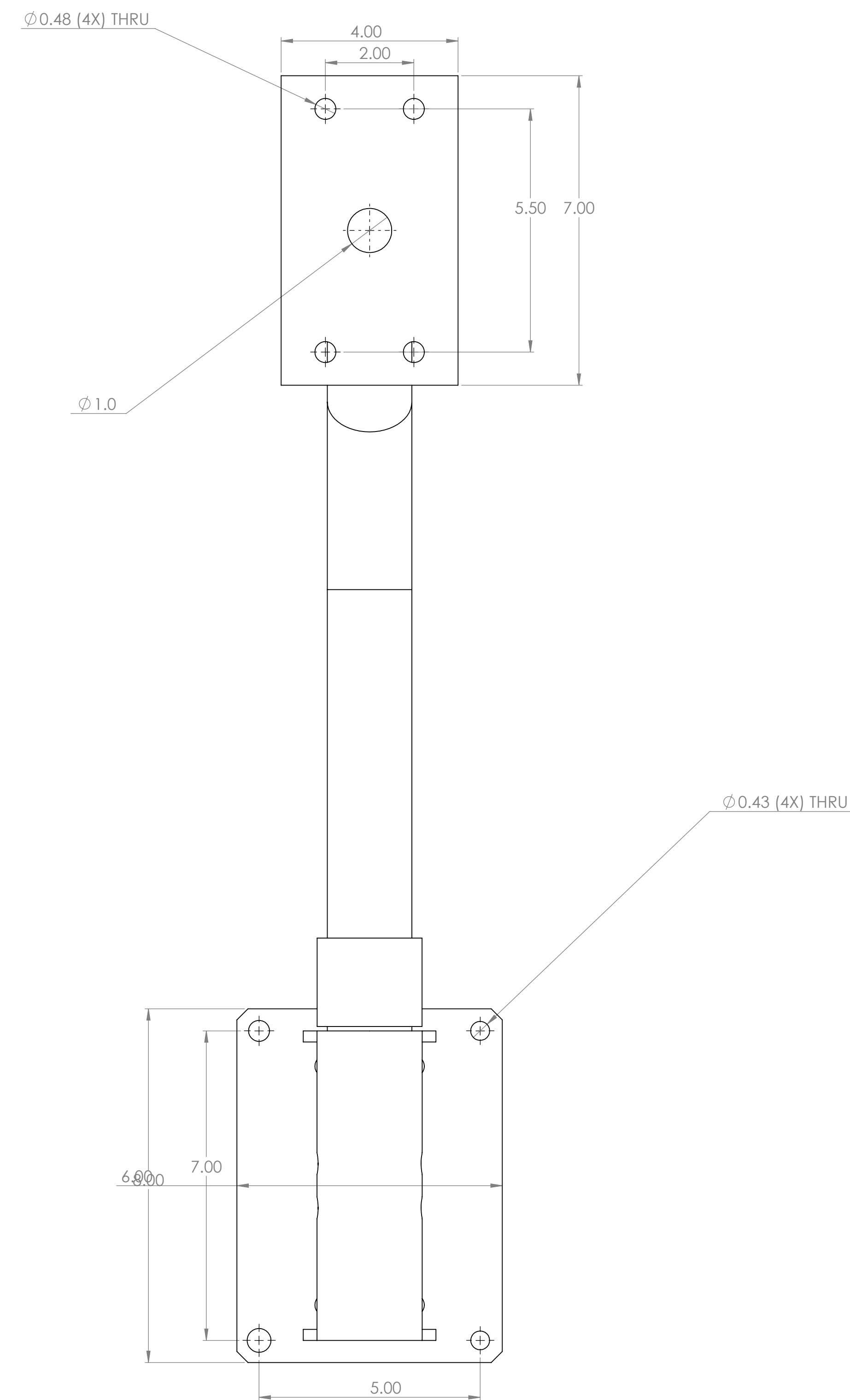
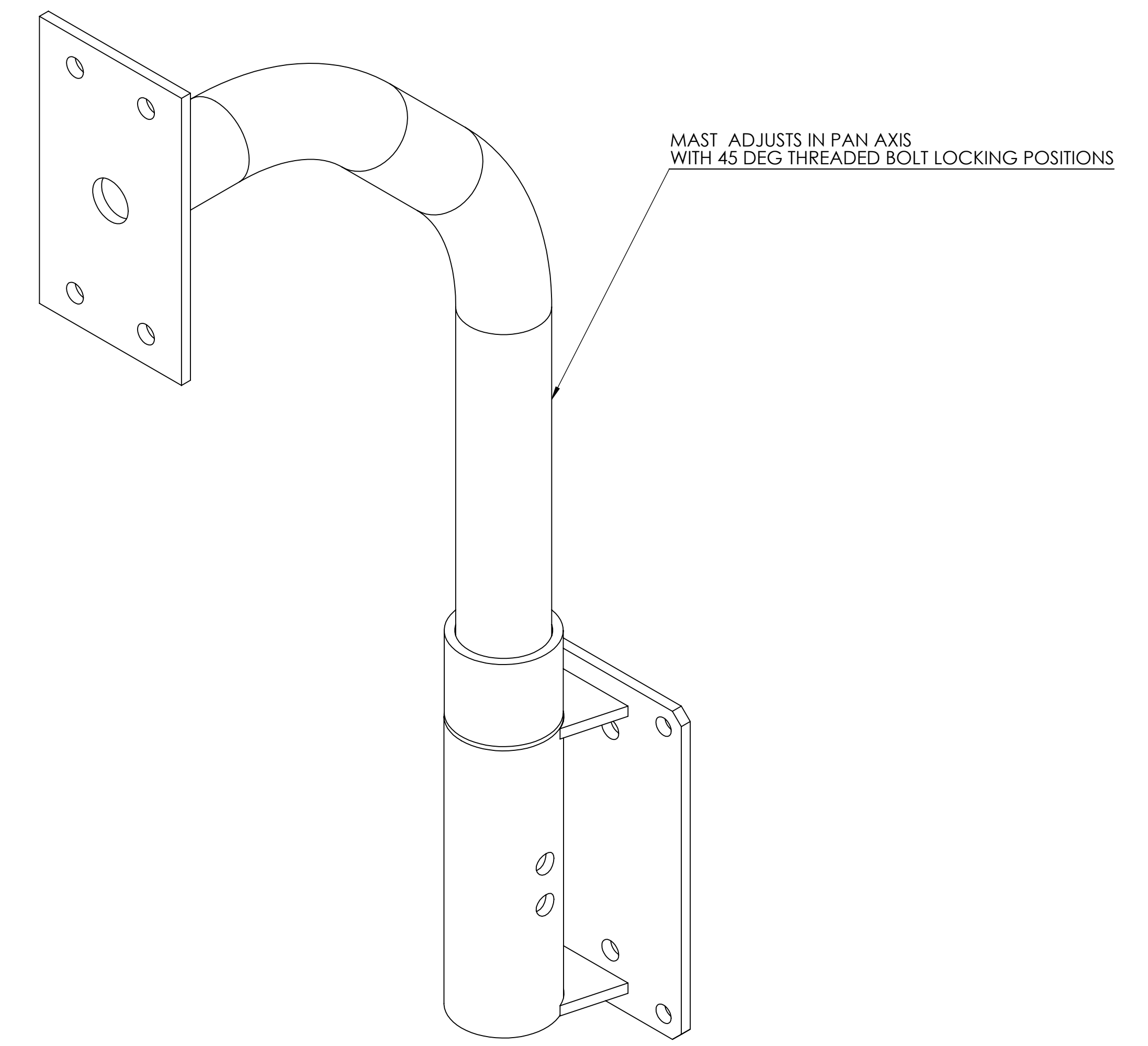
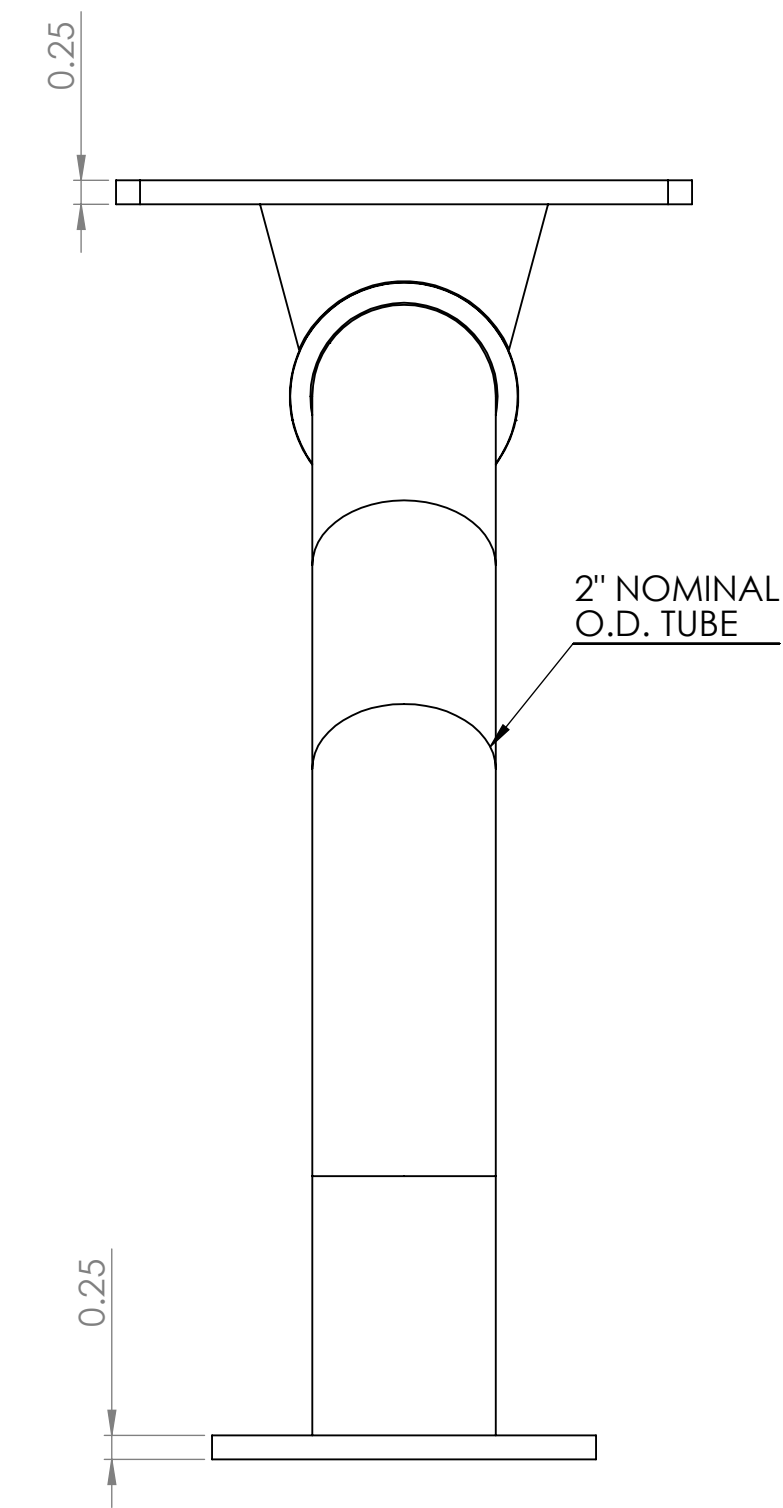
FORMING TOLERANCES:

LINEAR: .XX = ±.030, .XX = ±.020

HOLES: ±.005

ANGULAR: ± 1°

K-FACTOR: 0.42



UNLESS OTHERWISE SPECIFIED		FROM: Powdercoat Semi-gloss Tiger/ Drylac White 49/13721 or PAINT EQUIVALENT	DEBURR AND BREAK SHARP EDGES	DO NOT SCALE DRAWING	REVISION: 010
DIMENSIONS ARE IN INCHES				dotworkz	
FORMING TOLERANCES:					
LINEAR: .XX = ±.030, .XX = ±.020					
HOLES: ±.005					
ANGULAR: ± 1°					
K-FACTOR: 0.42					
NAME	SIGNATURE	DATE	TITLE		
DESIGN		10/20			
DWG					
APP'D					
MFG					
QA					
			MATERIAL: 6061-T6 Aluminum	DWG NO: BR-CPM1 Compact Parapet Mt	A1
			WEIGHT:	SCALE: 1:1	SHEET OF 1