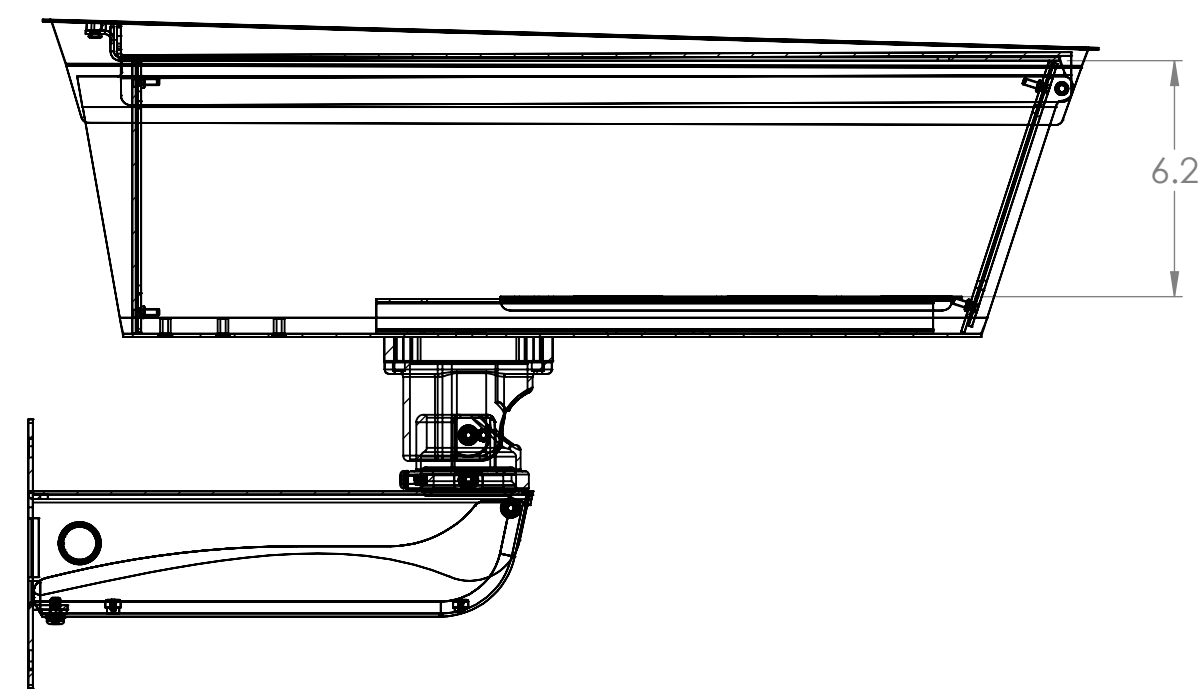
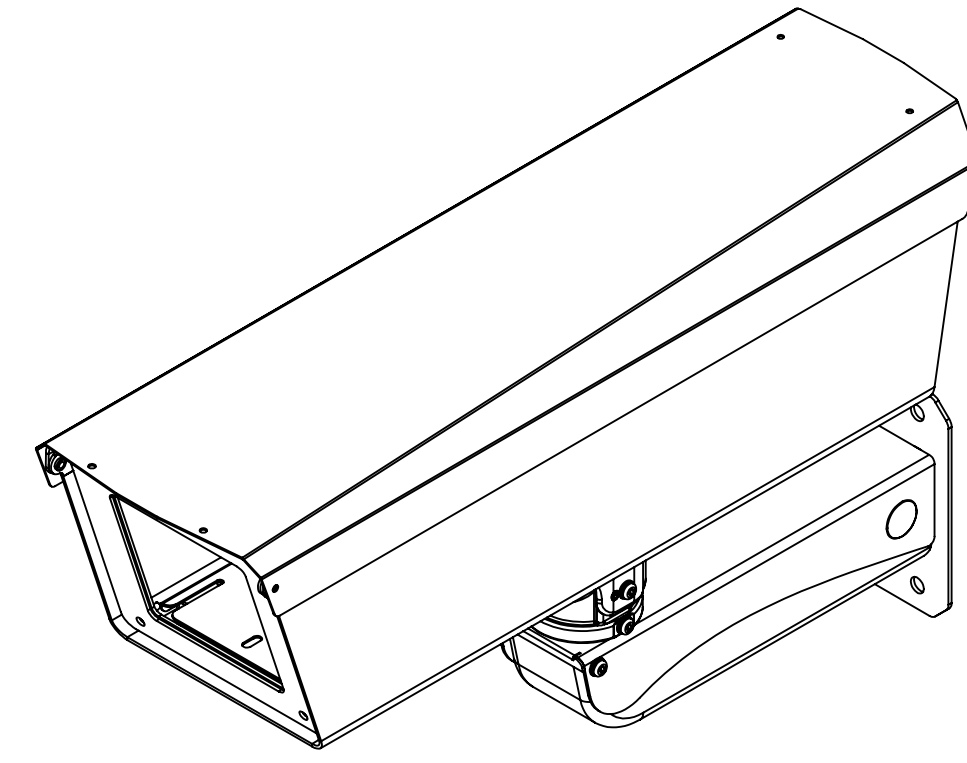
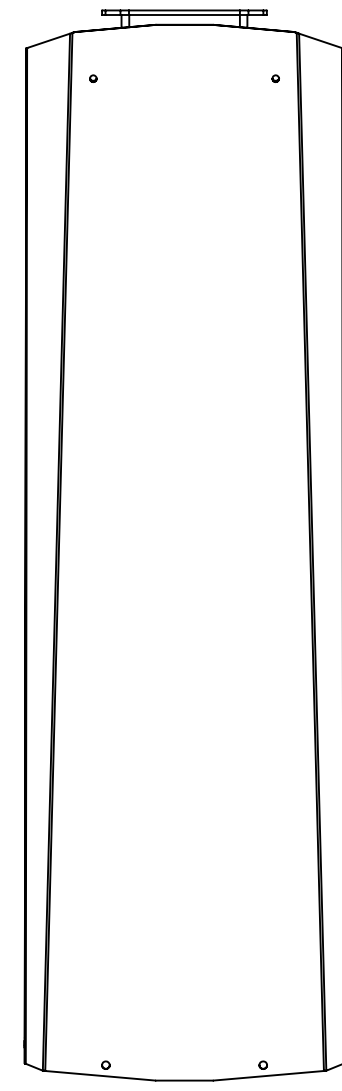
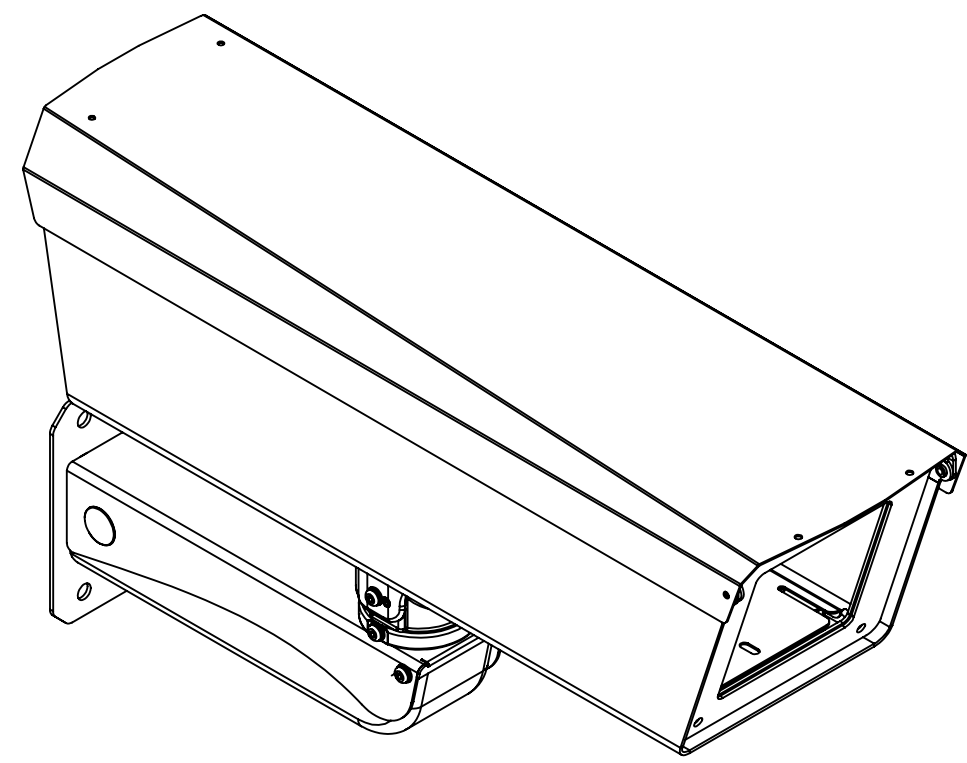
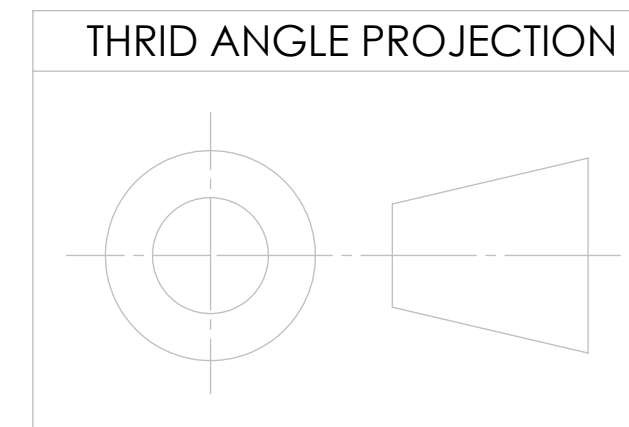
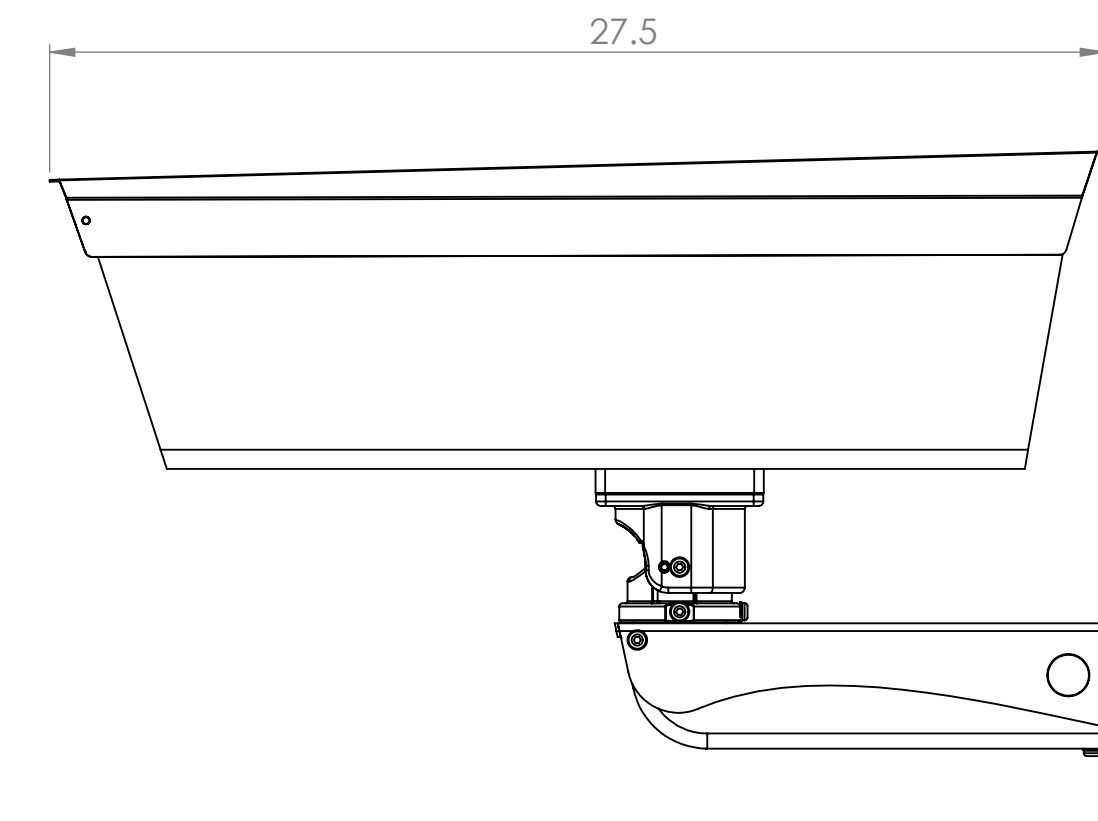
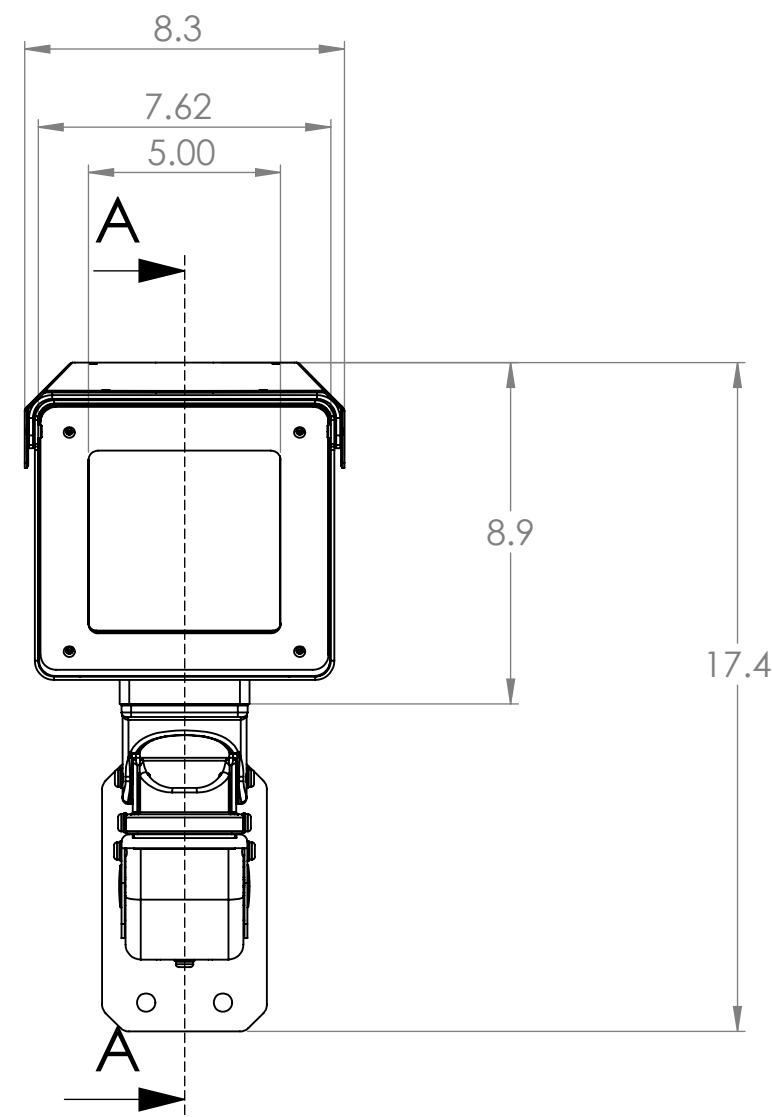


**STXL-BASE OUTDOOR HOUSING**

MATERIALS:  
 HOUSING BODY: ALUMINUM 5052  
 MOUNT BRACKET: STAINLESS STEEL 304  
 BUILT TO IP66, NEMA 4X



SECTION A-A



UNLESS OTHERWISE SPECIFIED:

UNLESS OTHERWISE SPECIFIED:  
 DIMENSIONS ARE IN INCHES  
 FORMING TOLERANCES:  
 LINEAR: .XX = ±.030, .XX = ±.020  
 HOLES: ±.005  
 ANGULAR: ± 1°  
 K-FACTOR: 0.42

INTERPRET GEOMETRIC TOLERANCING PER:  
 ASME Y14.5-2009

MATERIAL  
 SEE NOTE 1

FINISH  
 SEE NOTE 2

**PROPRIETARY AND CONFIDENTIAL**  
 THE INFORMATION CONTAINED IN THIS DRAWING IS THE SOLE PROPERTY OF DOTWORKZ SYSTEMS. ANY REPRODUCTION IN PART OR AS A WHOLE WITHOUT THE WRITTEN PERMISSION OF DOTWORKZ SYSTEMS IS PROHIBITED.

	NAME	DATE
DRAWN	JJ Hilton	102419
CHECKED		
ENG APPR.	JJ Hilton	102419
MFG APPR.		
Q.A.		
COMMENTS:		

**dotworkz**

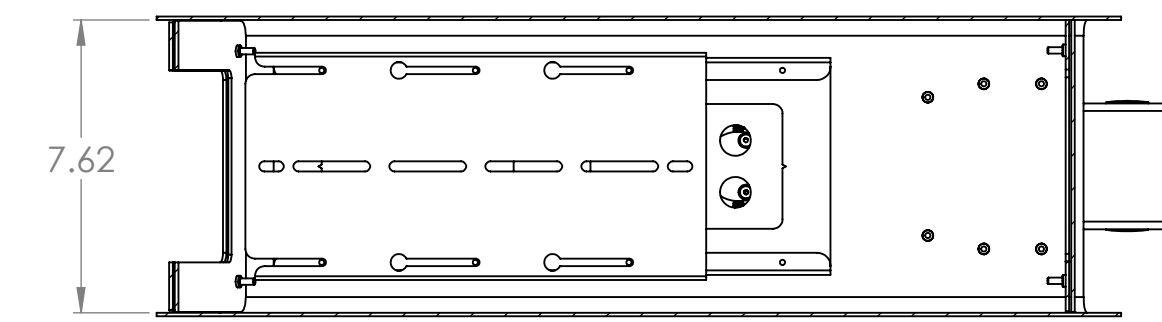
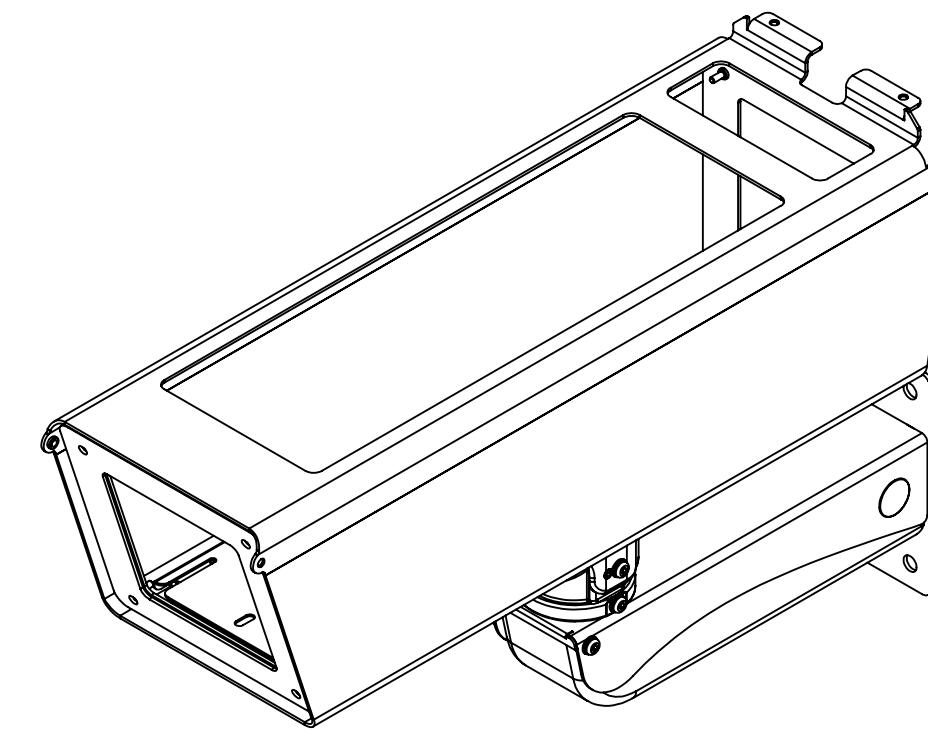
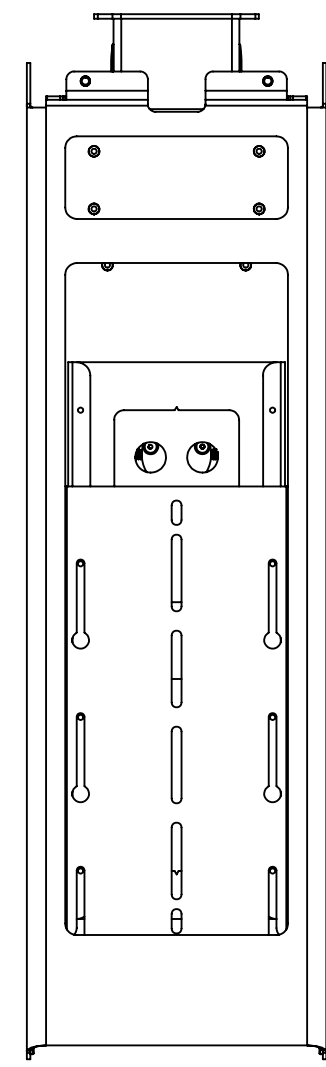
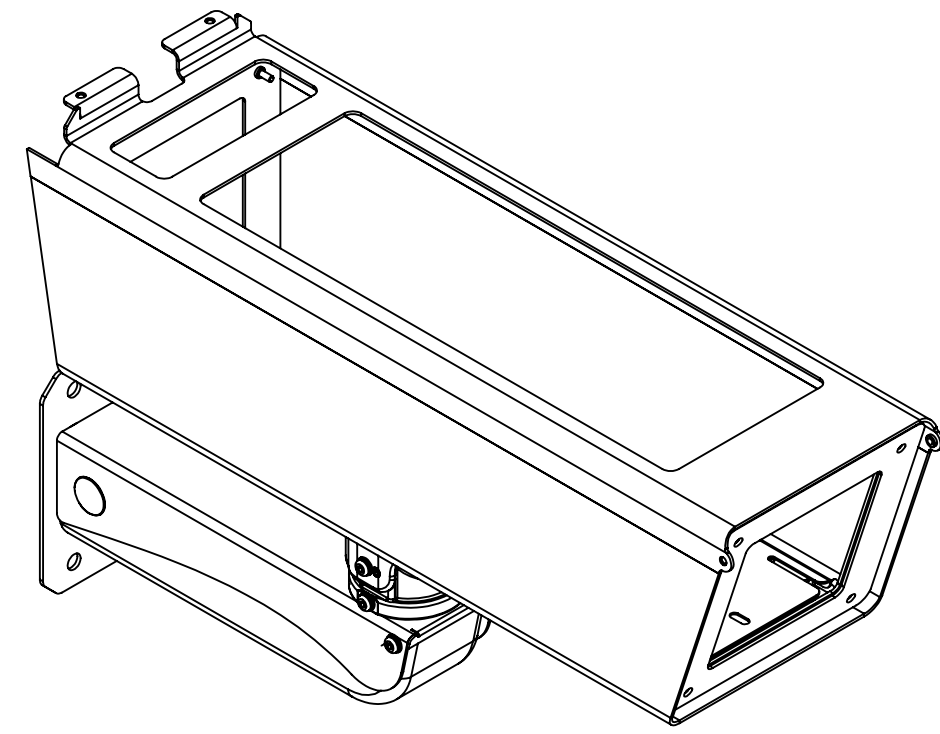
TITLE: STXL-BASE

SIZE DWG. NO. REV  
**D** xxx-xxxx 011

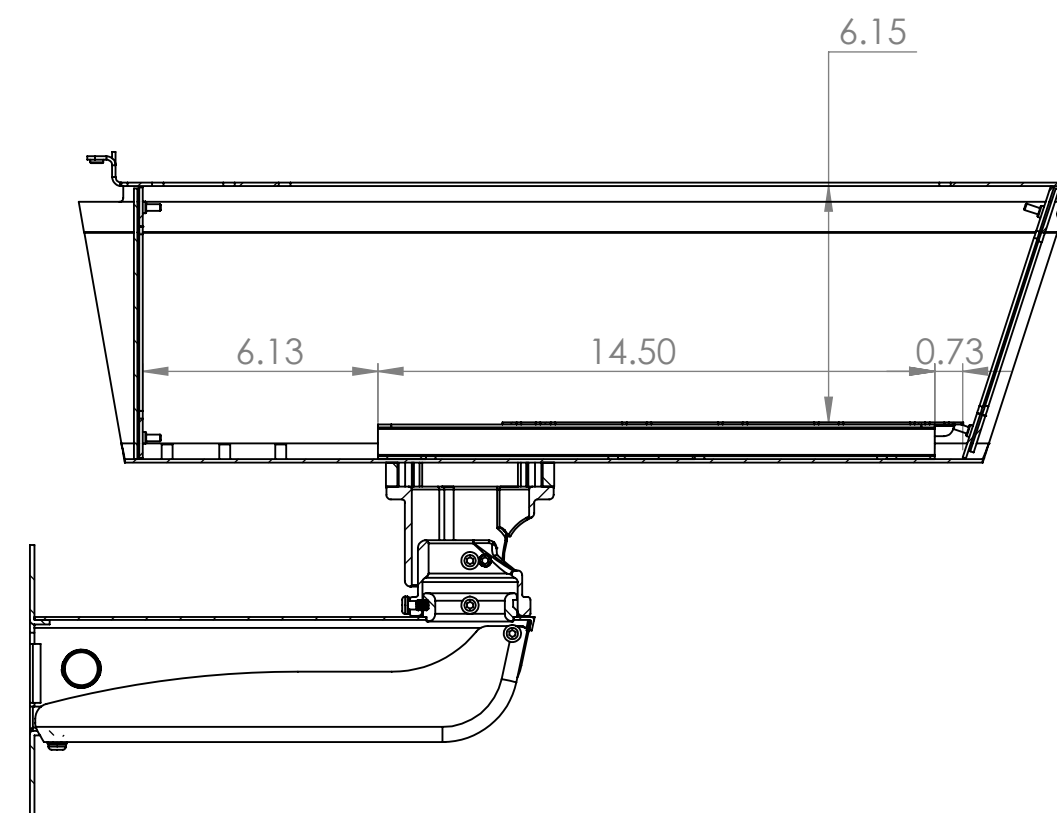
SCALE: 1:5 WEIGHT: SHEET 1 OF 2

STX Housing Assy REV 011 BASE w/SS Arm 011

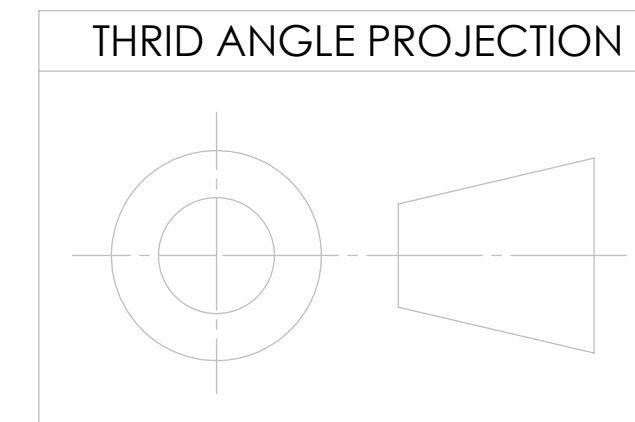
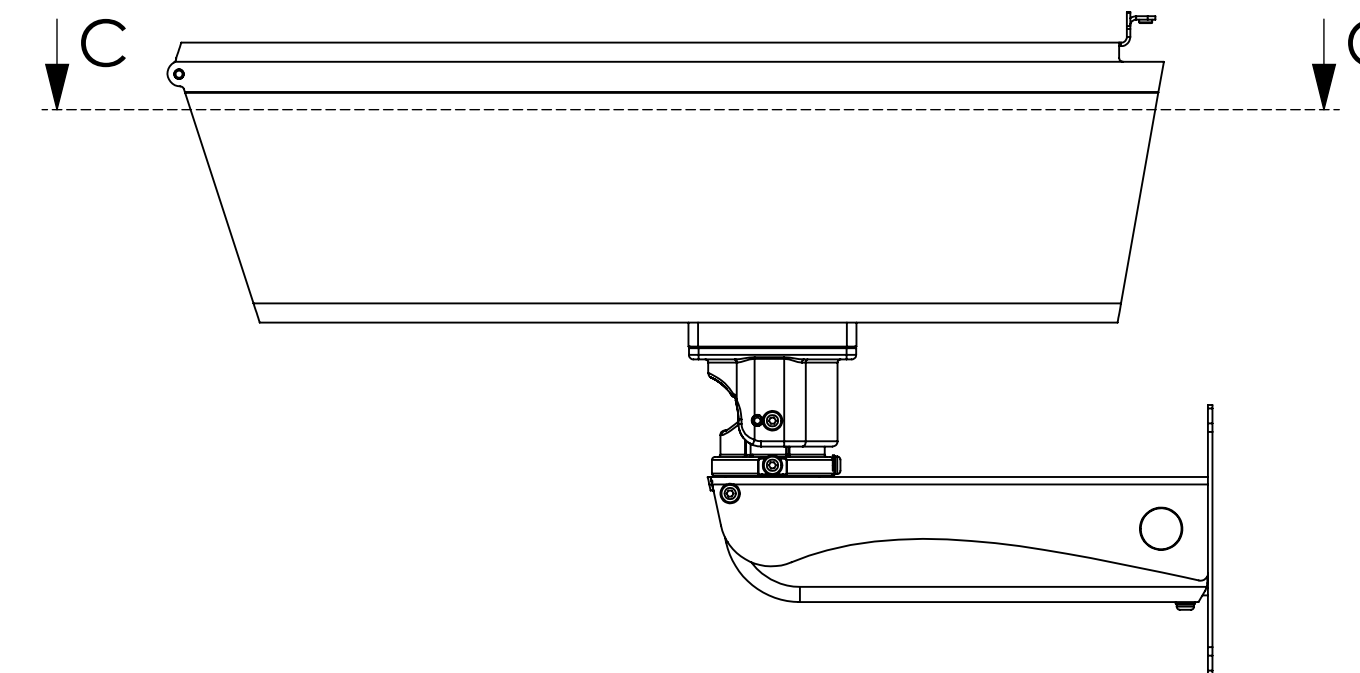
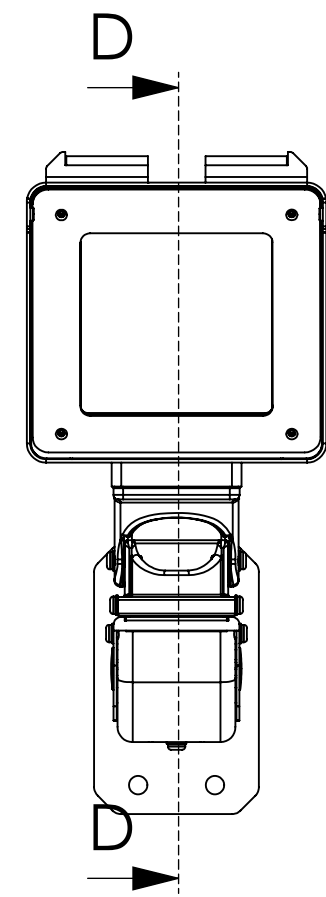
**STXL-BASE**  
**HOUSING w LID OFF DETAILING**



SECTION C-C



SECTION D-D



UNLESS OTHERWISE SPECIFIED:		<b>PROPRIETARY AND CONFIDENTIAL</b>	
UNLESS OTHERWISE SPECIFIED: DIMENSIONS ARE IN INCHES FORMING TOLERANCES: LINEAR: .XX = ±.030, .XX = ±.020 HOLES: ±.005 ANGULAR: ± 1° K-FACTOR: 0.42		THE INFORMATION CONTAINED IN THIS DRAWING IS THE SOLE PROPERTY OF DOTWORKZ SYSTEMS. ANY REPRODUCTION IN PART OR AS A WHOLE WITHOUT THE WRITTEN PERMISSION OF DOTWORKZ SYSTEMS IS PROHIBITED.	
INTERPRET GEOMETRIC TOLERANCING PER: ASME Y14.5-2009		DRAWN	NAME DATE
MATERIAL SEE NOTE 1		ENG APPR.	JJ Hilton 102419
FINISH SEE NOTE 2		MFG APPR.	
		Q.A.	
		COMMENTS:	
		TITLE: LID OFF DETAILS	
		SIZE	DWG. NO. REV
		D	xxx-xxxx 011
		SCALE: 1:5	WEIGHT: SHEET 2 OF 2

STX Housing Assy REV 011-BASE w SS Arm 011